

USER MANUAL

GEWA Digital Piano DP 345



Bedienungsanleitung | Owners Manual | Mode d'emploi | Manual de instrucciones
www.gewakeys.com



Read these operation instructions before use and observe the safety information!
Keep the instruction manual for future reference.

Manufacturer:

GEWA music GmbH
Oelsnitzer Str. 58
08626 Adorf
GERMANY

www.gewamusic.com

Version 1.0

Last Update: 21.12.2021

CONTENTS

1. SAFETY INFORMATION	5
1.1 Key	5
1.2 Intended use.....	6
1.3 Improper use - Examples.....	6
1.4 Precautions.....	7
1.6 Disposal	8
2. PARTS SUPPLIED WITH THE PIANO	9
3. ASSEMBLY INSTRUCTIONS DP345	10
4. FIRST STEPS.....	12
4.1 The control elements of your digital piano	12
4.2 Control buttons and pedals.....	13
4.3 Keyboard / Connections / Underside	15
5. CONTROLS	17
5.1 Switching on	17
5.2 Sound selection	17
5.3 Favorites	18
5.4 Metronome	18
5.4.1 Switching the metronome on/off.....	18
5.4.2 Adjusting the metronome speed.....	18
5.4.3 Adjusting the Time Signature	18
5.5 Recorder Menu.....	19
5.5.1 Internal recorder	19
5.5.2 USB Recording	19
5.6 Player.....	19
5.7 Piano information.....	20
6. BLUETOOTH.....	20
6.1 Bluetooth MIDI	20
6.2 Bluetooth Audio	20
7. OPERATION VIA APP.....	21
7.2 Connect the App to the piano	21
7.3 Favorites	21
7.4 Sound selection	22
7.4.1 Combinations.....	22
7.4.2 Combination-Editor	23

CONTENTS

7.5	Player-Menu	23
7.5.1	Lesson-Player	23
7.5.2	Demo player	24
7.5.3	Song Player	24
7.5.4	Recorder	24
7.6	Metronome	24
7.7	Virtual piano technician	24
7.7.1	Single Key Calibration	25
7.7.2	Ambient Noises	25
7.7.3	Mechanics.....	26
7.7.4	Touch	26
7.7.5	Tuning.....	26
7.8	General Piano Settings	27
7.8.1	Piano Information.....	27
7.8.2	Language.....	28
7.8.3	MIDI Settings	28
7.8.4	Volume settings.....	28
7.8.5	Bluetooth-Settings.....	29
7.8.6	Lesson-Library.....	29
7.8.7	Piano-Settings.....	29
8.	USEFUL INFORMATION.....	30
8.1	Index.....	30
8.2	Warranty.....	31
9.	TROUBLESHOOTING AND REPAIR	31
10.	TECHNICAL DATA.....	32

Dear Customer,
 Thank you for choosing a digital piano from GEWA music!
 You have chosen a high-quality digital piano that will give you an impressive sound experience and lots of fun.
 Additional functions extend the capabilities of your digital piano far beyond piano playing.

Your safety is very important to us!
 Please read the safety information carefully and pay close attention to it.
 Retain this manual and hand it over to the respective user.

1. SAFETY INFORMATION

The manufacturer is not liable for personal injury or property damage resulting from improper use of the device!
 Only use your digital piano as directed!



1.1

KEY

The following symbols are used in this operating manual to identify hazards and notes.

Level of danger	Symbol	Importance	Definition
Severe injury		WARNING	Severe to fatal injuries if disregarded
Severe injury through electric shock		WARNING	Additional symbol for danger of electric shock
Slight injury and property damage.		CAUTION	Slight injury and / or property damage can occur if the safety instructions are disregarded.
Note		NOTE	Crucial information concerning the handling of the device.
Tip		TIP	Application tips

1.2

INTENDED USE

The digital piano is intended for use in dry rooms.

- Devices for audio playback (as input or output) or for data communication can be connected. However, the respective technical specifications must be complied with (see the section "Technical data")
- The electrical connection may only be made to correctly installed power supplies, fulfilling the respective regulations. The mains voltage on the identification plate must correspond to the mains voltage of the country of use.
- The digital piano is only to be used in the original delivery condition described below. Conversions of any kind are not permitted and cause the immediate loss of the warranty claim.
- The digital piano must be placed on securely fastened and weight-suitable, stable and level floors or platforms.

1.3

IMPROPER USE - EXAMPLES

- Use outdoors or in rain
- Use in damp rooms
- Connection to incorrect supply voltage or improperly installed electrical power supplies.
- Use in close proximity to electrical or electronic equipment such as stereos, televisions, radios or mobile phones.
- These devices may cause interference and affect the sound quality.
- Electrical leads that are too long can also affect sound quality.
- Transport and installation in places or vehicles with strong vibration, dust and strong heat e.g. direct sunlight.

The manufacturer accepts no liability for damage for the following reasons:

- Disregard of the safety instructions
- Improper handling
- Use with devices that are not compatible with the technical data listed below

1.4

PRECAUTIONS

Please follow the precautions listed here. Disregard of precautionary measures can have serious consequences:

- Severe injury or even fatal accidents
- Electric shock
- Short circuit
- Damage
- Fire

Other threats are conceivable; this is not an exhaustive list.

Fatal electric shocks

- Even low electrical currents can lead to serious injuries and death.
- Never open the digital piano's casing.
- Never use damaged power cables.
- Lay the power cable in such a way that it cannot be damaged.
- Never place containers (vases, glasses, etc.) filled with water or fluids on the piano.
- Never pour water or liquids on to the digital piano or keyboard.
- Never clean the digital piano with a wet cloth.
- Never plug in or pull out the mains plug with wet hands. Never pull on the cable; it can cause damage.
- If liquid accidentally gets into the digital piano, immediately unplug the power. Then have your digital piano checked by your GEWA service representative.

Unusual circumstances

- Turn off the digital piano or unplug the power cable if:
 - There is a sudden loss of sound while using the digital piano
 - The digital piano generates an unusual smell or smoke
- Be sure to have the digital piano checked by your GEWA service representative

Protection against fire

- Open flames such as candles or tealights can tip over and cause a fire
- Never place objects with open flames on the digital piano!



CAUTION

Damage to the digital piano

Inappropriate electrical voltages can damage the digital piano.

- Only operate the digital piano in the permissive voltage range (as indicated on the respective identification plate)
- Only use the supplied power cable.
- Never place the power cable near to sources of heat, such as radiators or freestanding heaters.
- Do not blend or kink the power cable, or damage it in any other way.
- Lay the power cable so that nobody can step on it, trip on it or roll over it.
- Do not place objects on the power cable.
- Regularly check the power cable and remove any dust or dirt that may be present.



CAUTION

Damage to the digital piano through thunderstorms

- Thunderstorms can generate electrical surges that can damage electrical equipment.
- In the event of a thunderstorm or long periods of non-use (such as travel), unplug the appliance from the mains.

CE-MARK

This device complies with EU directive requirements: **Directive 2014/53/EU**

EN55020:2007+A11:2011

EN55024:2010

EN55032:2012

EN61000-3-2:2014

EN61000-3-3:2013

EN301489-17:V2.2.1

EN301489-17:V3.2.0

EN62479:2010

EN300328:V2.1.1

The conformity with the regulations listed above is confirmed by the CE sign on the device. The declaration of conformity can be viewed at the following address:

GEWA music GmbH, Oelsnitzer Str. 58, 08626 Adorf, GERMANY

1.6

DISPOSAL

To dispose of the old device, please take it to your local waste management authority (e.g. disposal company or recycling centre).

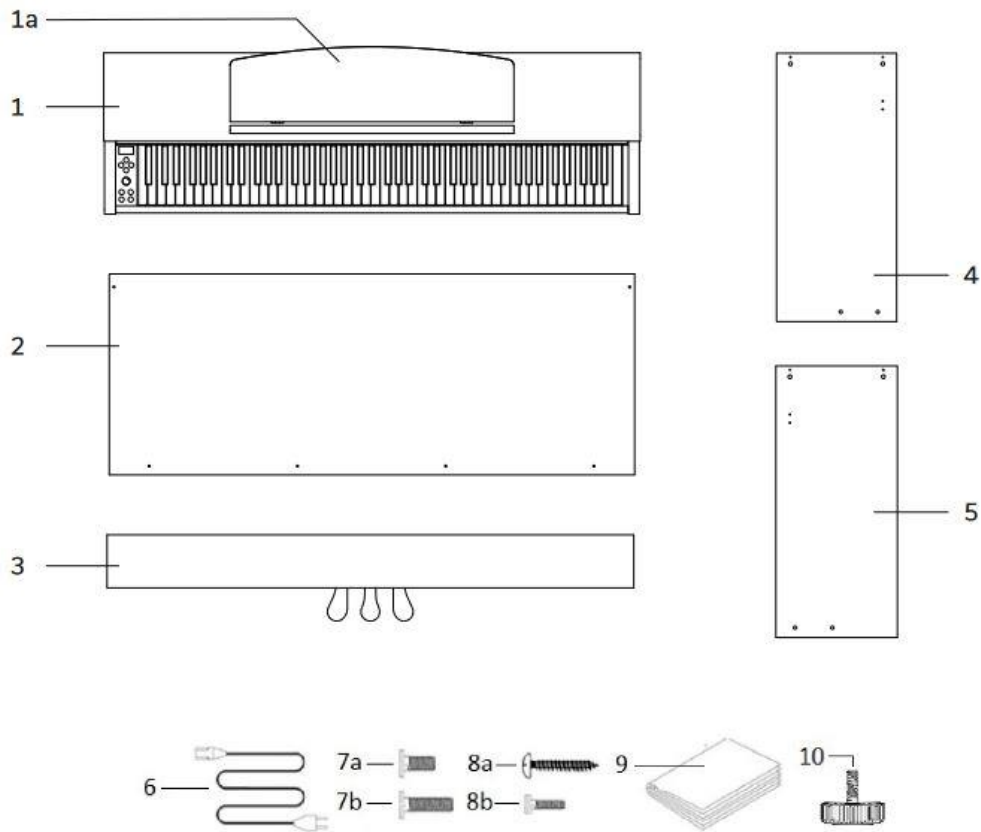
The adjacent symbol indicates that the device must be disposed of separately from household waste. In accordance with the Electrical and Electronic Equipment Act, owners of old appliances are legally required to dispose of old electrical and electronic appliances at a separate and designated waste disposal point

Please help in contributing to protect the environment by not disposing of the old device in household waste.



2. PARTS SUPPLIED WITH THE PIANO

Check the content of the package for completeness before starting with the assembly.



Pos.	Description	Pcs.
1	Keyboard	1
1a	Music Desk	1
2	Rear panel	1
3	Pedal board	1
4	Left side panel	1
5	Right side panels	1
6	Power cable	1
7a	Phillips screw M6 x 16	4
7b	Phillips screw M6 x 35	4
8a	Phillips wood screw 3,5 x 18	4
8b	Phillips screw M4 x 10 with washer and spring washer	2
9	Quick Start Guide	1
10	Adjustment screw	1

3. ASSEMBLY INSTRUCTIONS DP345

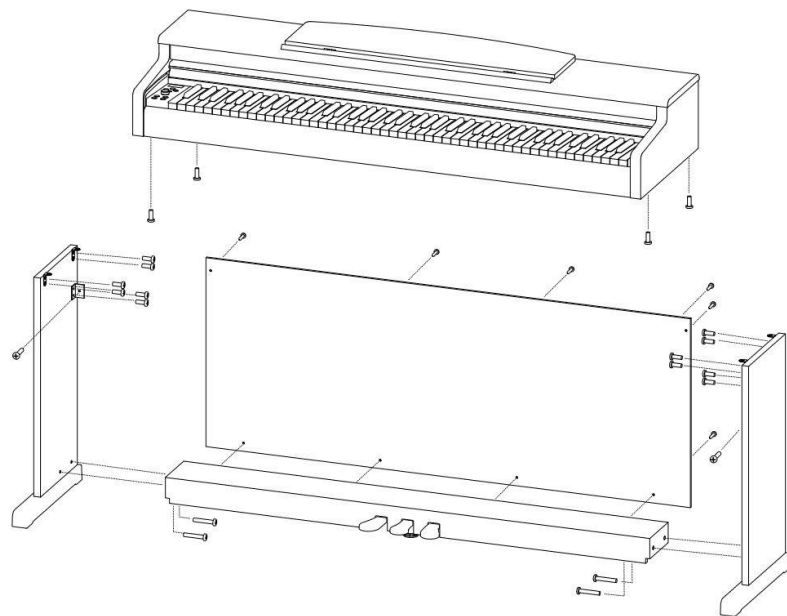
This section tells you how to correctly set up your digital piano. For assembly you will need:

- A size 2 phillips screwdriver
- Another person

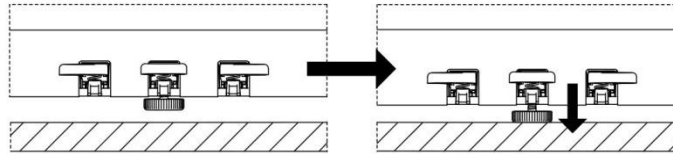
Do not tighten the Philips screws until all parts of your digital piano have been pre-assembled and aligned.

How to assemble your digital piano:

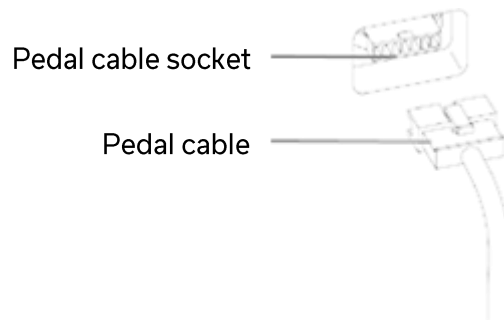
1. Unfold the pedal cable (not shown) and screw the adjustment screw (10) into the pedal board (3).
2. Connect the side panels (4 and 5) with the pedal board using the Philips screw (7b).
3. Attach the rear panel (2) with the 4 Phillips wood screws (8a) to the pedal board. Then connect it to the side panels by using the Philips screws (8b).
4. Then you can place the keyboard on the top. Ensure that it is fitted to the metal angle of the side panels. 4 Phillips screws (7a) must be screwed into the keyboard from below.
5. Then align your digital piano and tighten all of the screws.



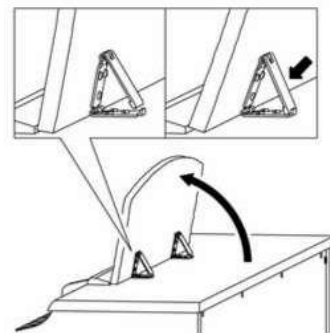
6. Place you piano at the desired location and make sure that the adjustment screw (10) touches the floor as shown below.



7. Insert the pedal cable true to side into the pedal cable socket on the underside of the keyboard (1). It should slide easily into the socket. Then plug the power cable (6) into the power socket on the back of the piano (not shown).



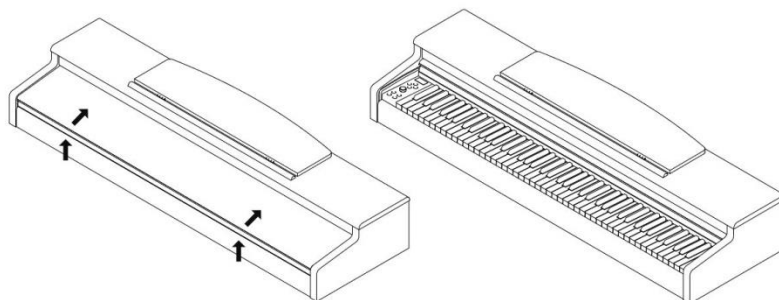
8. Set up the music des as shown below.



OPENING THE KEYBOARD LID

Please always use both hands to open the keyboard lid.

Open the keyboard cover as shown in the diagram. Proceed in reverse order to close it.



USE WITH A KEYBOARD STAND



NOTE

It is also possible to use a keyboard stand instead of the supplied rack. In this case place the keyboard stand on level ground and position the piano centrally on top. If possible, the speakers on the bottom of the piano should not be covered or partly touched by the stand. For the connection with a standard sustain pedal you can use the 6.3mm jack socket labeled 'sustain' on the rear panel.

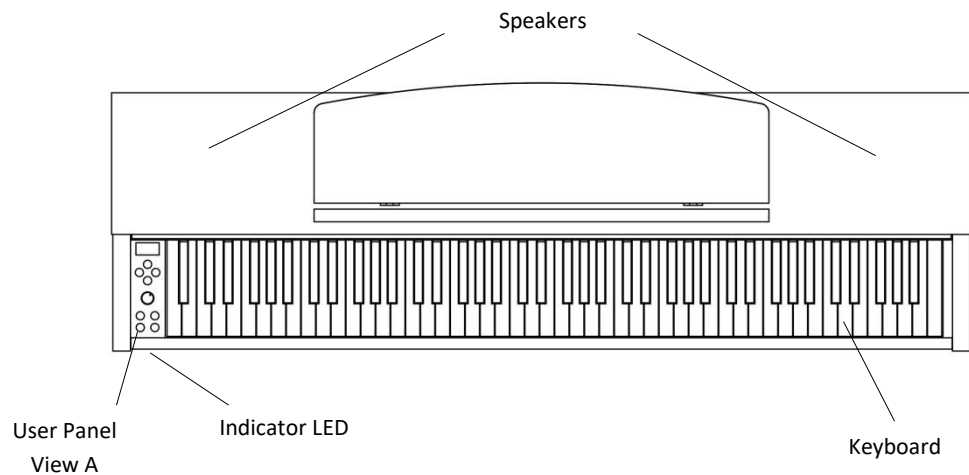
4. FIRST STEPS

In this section, we familiarize you with the controls on your digital piano.

4.1

THE CONTROL ELEMENTS OF YOUR DIGITAL PIANO

Your GEWA digital piano has the following controls:



4.2 CONTROL BUTTONS AND PEDALS

Diagram A

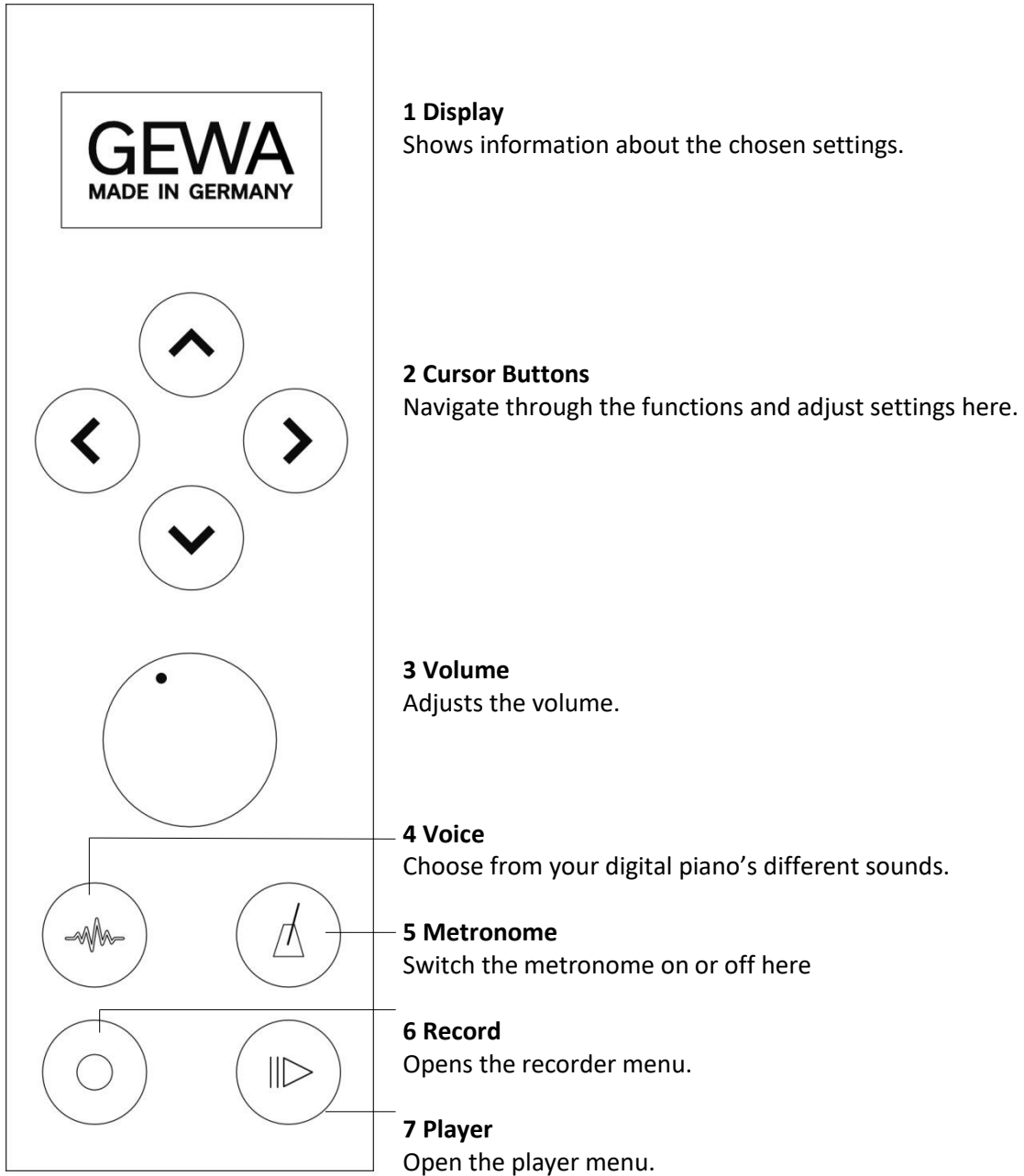
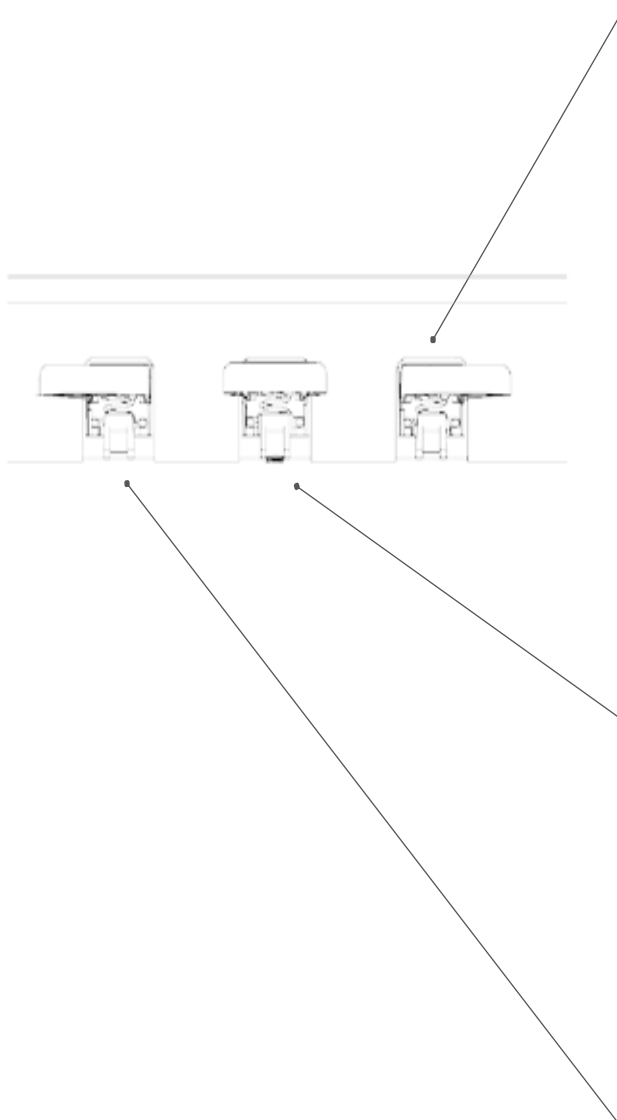


Diagram B



Sustain Pedal (right side)

The Sustain- or Damper Pedal on an acoustic grand piano lifts up all the dampers that sit on the strings. Thereby all played notes continue to sustain after the keys are released.

Furthermore, all the other strings can freely resonate, so their frequencies contribute to a richer sound.

All this is simulated by the pedal of your GEWA piano. It is also possible to play with half pedal, which means the simulated dampers are only lifted slightly, so that the sustaining notes are decaying faster than with the pedal fully depressed.

Sostenuto Pedal (middle position)

The Sostenuto Pedal resembles the Sustain Pedal. The only difference is that only those notes are sustaining whose keys were being depressed at the moment of actuating the pedal. All the other notes are dampened as usual.

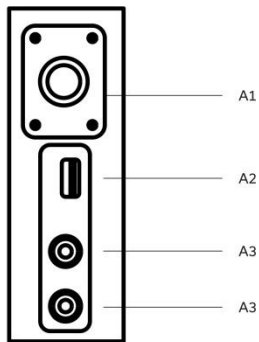
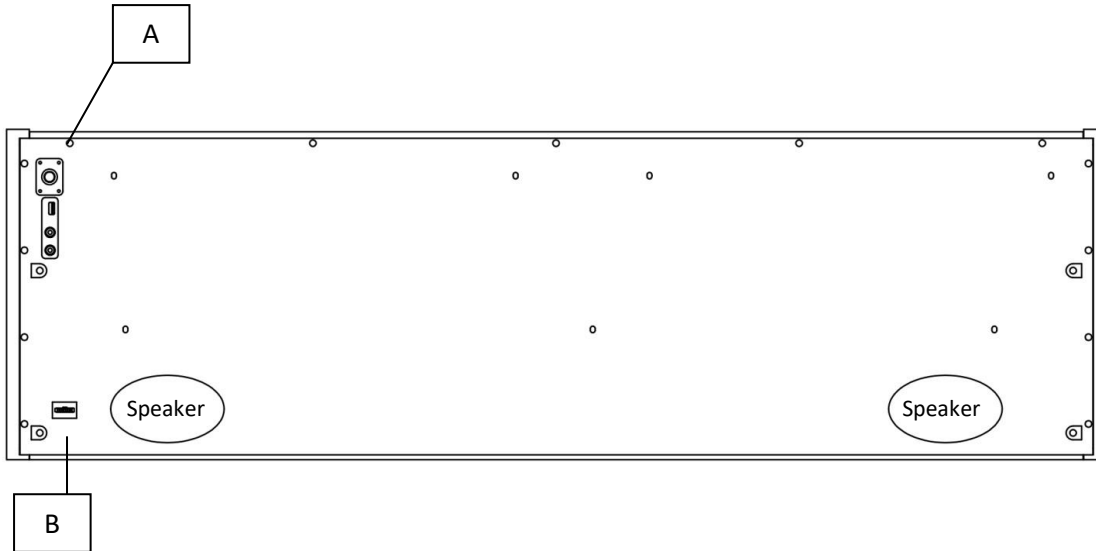
Piano Pedal (left side)

When the Piano- or Una Corda pedal is being operated, the GEWA Piano simulates shifting the keyboard action slightly to the right. The altered striking line of the imaginary piano hammers results in a differently colored tone and a slightly softer volume.

4.3

KEYBOARD / CONNECTIONS / UNDERSIDE

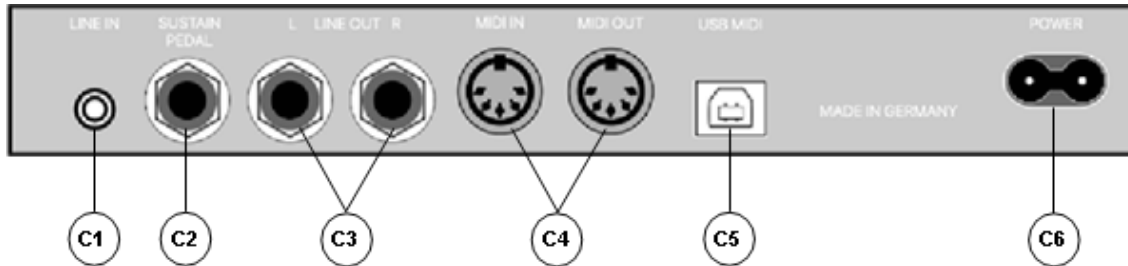
General View



- | | | |
|-----------|---------------------------|---|
| A1 | Power On/Off | Turn your digital piano on and off. |
| A2 | USB IN/OUT | Connect a USB stick or other USB device here if required. |
| A3 | Headphone sockets | Connect one or two sets of headphones here. |
| B | Pedal cable socket | Connect the pedal cable here. |

KEYBOARD / CONNECTIONS REAR PANEL

Diagram C



- | | | |
|-----------|-------------------------|---|
| C1 | LINE IN | This port is for external sound source playback (e.g. MP3 players) through the speaker system via a 3.5 mm jack socket. |
| C2 | SUSTAIN | You can connect a standard sustain pedal to this 6.3mm jack socket, if you want to use your digital piano with an external stand. |
| C3 | LINE OUT L/R | This connection is split into the stereo channels L(ef) and R(ight). Using 6.3mm jack cables, you can connect these outputs to a receiver, e.g. an amplifier or a recorder. |
| C4 | MIDI IN/OUT | Connect MIDI devices here. |
| C5 | USB-B Connection | Connect your digital piano with your PC via this connection. |
| C6 | Power Supply | Connect your digital piano to the power supply here, using the power cable. |

5. CONTROLS



All settings you change are automatically saved. Exceptions to this are settings on the volume control.

NOTE

5.1 SWITCHING ON

Set the volume control to the middle position before switching on.

1. Press the on/off switch on the bottom side of your digital piano.
2. The LEDs of the cursor data and the sound select button light up. In addition, the indicator LED on the front of your digital piano lights up.
3. Your digital piano is ready for operation.

5.2 SOUND SELECTION

Your GEWA digital piano has 15 sounds of different categories.

Category	Sound
Piano	Piano 1
Piano	Piano 2
Piano	Piano 3
Piano	Piano 4
E-Piano	E-Piano 1
E-Piano	E-Piano 2
E-Piano	E-Piano 3
E-Piano	E-Piano 4
Strings and Choirs	Strings
Strings and Choirs	Choir
Strings and Choirs	Synt Str
Strings and Choirs	Synt Pad
Organ	Organ 1
Organ	Organ 2
Organ	Organ 3
Others	Guitar
Others	Clavi
Others	Vibra
Others	Accord
Others	Harpsichord

Press the voice selection key to enter the sound selection menu. By using the left or right cursor keys you can navigate through the different sounds. Use the cursor keys up and down to navigate through the sound categories. The currently selected sound is shown in the display.

5.3

FAVORITES

Your GEWA digital piano also has a category called “Favorites”. This contains 6 presets that you can define completely freely.



NOTE

To do this, use the GEWA Keys Piano Control app (see p. 22). The app is available for Android and iOS.



Android



iOS

5.4

METRONOME

Your digital piano has a built-in metronome that helps you find and keep the right beat while playing.

The metronome has 7 time signatures (1/4, 2/4, 3/4, 4/4, 5/4, 3/8 and 6/8) and is adjustable between 32 and 250 beats per minute (Bpm).

5.4.1

SWITCHING THE METRONOME ON/OFF

1. Press the Metronome Key. The corresponding LED will now start blinking at the specified speed.
2. Press the metronome button again to start the metronome.
3. To stop the metronome, press the metronome button again.

5.4.2

ADJUSTING THE METRONOME SPEED

1. Switch on the Metronome
2. Use the cursor keys to adjust the speed of the metronome. Use the Left/Right keys to select the corresponding digit. Use the Up/Down cursor keys to increase or decrease this by one digit.

5.4.3

ADJUSTING THE TIME SIGNATURE

1. To change the time signature, proceed as described in 5.4.2. Press the cursor key until you have selected the time signature.
2. Use the cursor keys up/down to switch between different time signatures..

5.5 RECORDER MENU

Your GEWA digital piano has MIDI and USB-WAV recording capabilities.

5.5.1 INTERNAL RECORDER

To use the internal recorder, proceed as follows:

1. Press the Recorder button to switch to recording mode.
2. The piano is now ready for recording. You can record the left and right hand separately. Use the cursor left/right keys to select the hand to be recorded.
3. Recording starts automatically as soon as you play the first note. You can see if the recording is currently running by the animation of the recording icon.
4. To stop the recording, press the player icon. Here you can also listen to your performance.

5.5.2 USB RECORDING

To record audio files to a USB stick, proceed as follows:

1. Connect a USB stick to the bottom side of the console.
2. Press the Recorder button to switch to the recording mode. Press the Recorder button again to get into the USB recording mode.
3. Press the Player button again to start recording.
4. Press the player button again to stop recording. The piano automatically saves a file with the name "GEWA_S01.wav" onto your USB stick.

5.6 PLAYER

You can use the player to play back your recordings. Proceed as follows:

1. Press the Player soft button to open the player menu
2. Use the down cursor keys to select the song to be played
3. Press the player button to start and pause the player.

To play audio files from your USB flash drive, enter the Player menu and press the Up cursor key to search for audio files on your USB flash drive.

To play, proceed as described above.

5.7 PIANO INFORMATION

For service purposes, it may be important to be able to access the most important information about your digital piano.

To do so, proceed as follows:

Press the Sound Select and Record buttons simultaneously.

A "Piano Information" window should now open.

6. BLUETOOTH

Your digital piano has Bluetooth audio and MIDI functionalities.

6.1 BLUETOOTH MIDI

The Bluetooth MIDI function allows you to connect your GEWA digital piano to various learning apps or DAWs (Digital Audio Workstations, e.g. Logic Pro or Studio One).

The Bluetooth MIDI interface is always active and you can connect your digital piano at any time.

In the search of your mobile device, the MIDI interface is displayed as: GEWA Mid.

Follow the instructions of your MIDI software to connect the piano.

6.2 BLUETOOTH AUDIO

In addition to the Bluetooth MIDI interface, your GEWA digital piano also has a Bluetooth audio function.

To activate Bluetooth Audio, please proceed as follows:

1. Press the sound select and metronome buttons simultaneously.
2. Activate the Bluetooth Audio function with the cursor up button.
3. To put the piano into pairing mode, press the Right cursor button. Now the piano is in pairing mode and waiting for external devices to connect.
4. After successful pairing, the message: „Pairing OK!“ will appear.
5. You can now play audio files from the device to your piano through the Bluetooth audio interface.

7. OPERATION VIA APP

Your GEWA Digital piano can be connected to your smartphone via Bluetooth. In addition to the standard function via the Bluetooth audio and MIDI interface, even more settings can be made via the GEWA Piano Remote app.

This app is available for most Android and iOS devices.
You can download the here:



Android



iOS

7.2 CONNECT THE APP TO THE PIANO

To connect your piano to the GEWA Piano Remote App, proceed as follows:

1. Switch on the piano
2. Open the GEWA Piano Remote App on your smartphone
3. Follow the instructions to set up the app for the first time

Please note that their Bluetooth is enabled on the smartphone. The Android operating system also needs access to the location in order to search for Bluetooth devices nearby. Again, please make sure that your GPS is enabled.



NOTE

We do not use or store any usage data of the app. The location access is only used by the Android operating system.

7.3 FAVORITES

Your GEWA digital piano has 6 favorite slots that you can freely define according to your preferences. You can find your 6 favorites on the home page of the GEWA Piano Remote App.

To create a new favorite sound, click on the “+” icon in the center of the tile.

Now you will see the different setting options:

Name

Give your favorite sound a name. This name will then appear in the display of your digital piano.

Sound

Click on „Piano 1“ to enter the sound selection. Here you can now scroll through the different sound categories using the left/right cursor keys.

Effect

Select an effect for your preset. The following effects are available:

- Chorus
- Tremolo
- PanTrem
- Phaser
- Rotary

Click on the effect to activate it. By clicking on the down arrow you can define further effect parameters.

Reverb

Add a reverb effect to your sound selection. The selection is the same as in the effect section.

Metronome

You can store a metronome setting for each favorite sound. This will be loaded automatically when you select a favorite.

Click on Save to save the favorite sound and synchronize it with your piano. The favorite sound can now be selected and recalled at any time, even without an existing app connection.

7.4

SOUND SELECTION

The microphone icon at the bottom of the screen takes you to the sound selection. Use the left and right arrow keys to switch categories.

By clicking on the name you select the corresponding sound and can play it on your piano.

7.4.1

COMBINATIONS

The last category in the sound selection is called Combinations. Here you can create any number of sound combinations with up to three sounds.

To create a new combination, click on the “+” icon in the lower right corner.

The three dots next to the name will take you to the combination editor.

7.4.2 COMBINATION-EDITOR

At the top of the Combinations Editor you can name the combination. Click on the pencil icon in the upper right corner to give your combination its own name.

At the bottom of the screen you will see three keyboards. These represent the three sound layers. By clicking on the keyboard you can select the corresponding layer.

If you press and hold the keyboard you can activate (keyboard turns green) or deactivate (keyboard turns grey) the sound layer.

By clicking on „Sound“, you can select the sound of the respective layer. Via “Learn” you can define the respective note or velocity range of the sound layer via the keyboard of your instrument.

Settings to combinations are automatically applied and do not have to be saved separately.

7.5 PLAYER-MENU

Clicking on the note icon opens the player menu of the GEWA Piano Remote App. Below the header bar there are four icons that divide the player again into different sections:

- Lessons
- Demos
- Songs
- Recorder

7.5.1 LESSON-PLAYER

A library of different lessons is available in the Lesson Player. A collection of different lessons is called a lesson book. Four memory locations for Lesson-Books are available on your digital piano.

By clicking on the book icon you get to the Lesson Manager. Here you will see the four memory locations, numbered Book A through Book D.

Click on the “+” symbol to load a new lesson book onto your piano. The Lesson Library will open. Click on the book to transfer it to your piano via Bluetooth. The book is now available on your piano.

After selecting the book, the various songs are available via the song selection. These can now be played on the piano and via the controls you can loop, play lout/quiet or replay left and right hand separately.

7.5.2 DEMO PLAYER

In the Demo Player you can select and play demo pieces of your piano.

7.5.3 SONG PLAYER

In the song player you can play MP3 or WAV files from your USB device.

7.5.4 RECORDER

Your digital piano has an internal recording function. This provides you with four recording slots. Clicking on "Song 1" opens the song selection. Use the red dot and the green triangle to switch between recording and playing the songs.

Behind the metronome icon you can set the BPM speed of the internal metronome. Transposition transposes the recording.

By clicking on the two hands left and right of the record icon you can record left and right hand separately.

With the delete button you can delete the recording.

The player menu is structured in exactly the same way as the lesson player (see point 7.5.1).

7.6 METRONOME

Clicking on the metronome icon at the bottom of the screen opens the metronome menu. Here you can make the usual settings for the metronome and start or stop it.

7.7 VIRTUAL PIANO TECHNICIAN

In the virtual piano technician section you adjust basic settings of your digital piano. Click on the gearwheel icon in the menu bar to enter the virtual piano technician.

7.7.1 SINGLE KEY CALIBRATION

Your GEWA digital piano features a single key calibration. Every GEWA digital piano is calibrated during the production process and checked several times in quality assurance to provide the best possible playing behavior.

However, changes in the keyboard behavior of individual keys may occur over time (e.g. due to wear, external influences, etc..)

You can correct these inconsistencies via the single key calibration. You can switch between the factory calibration and your user calibration at any time. The factory calibration is permanently stored in the piano and can NOT be edited.

To edit the user calibration, click on „User Calibration“.

A screen will open with a circle in the center. Click Learn and then press the key on your instrument that you want to calibrate. Use the + and – keys to change the velocity value of the respective key. + means stronger keystroke, - means weaker keystroke.

Use the Left / Right arrow keys to select a different key.

Click on Save to apply the user calibration.

7.7.2 AMBIENT NOISES

In the Ambient noises category you can set the volumes of various additional sounds that are imitated in the style of an acoustic grand piano. Here you will find settings such as:

String Resonances

On an acoustic piano, the strings of some notes resonate indirectly when a note is struck. This characteristic is simulated by your GEWA digital piano its intensity can be changed using the String resonance parameter.

Pedal resonances

Due to the effect described above, many resonances occur especially when playing with the pedal held down, creating a full, spacious sound. This phenomenon is also simulated in the GEWA Piano and its intensity can be adjusted.

Hammer Noises

Your GEWA piano can also simulate the sound of a hammer when a key is pressed. This can be adjusted in intensity via the hammer noise parameter.

7.7.3 MECHANICS

In the mechanics section you will find settings that affect the mechanics:

Hammer tip

The condition of the hammer tip on an acoustic piano is decisive for the overtone content of the sound. A hard hammer tip provides a more brilliant sound; a soft hammer tip makes the strings sound darker and softer.

Half pedal value

Here you determine the point at which the half-pedal function should be triggered.

Una Corda Level

Here you can determine how much the left pedal (Una Corda Pedal) of your digital piano should affect your playing.

7.7.4 TOUCH

The touch area allows you to select different touch curves to define the keyboard behavior.

Touch Curve: Here you select one of the following sensitivity levels:

Medium: Default setting. Corresponds to medium sensitivity and is recommended for most players.

Soft1: Very light setting. Especially recommended for inexperienced players or children.

Soft2: Even more sensitive than Soft 1.

Hard1: Setting for players with a more powerful touch.

Hard2: Even less sensitive than Hard 1.

Constant: Without velocity – the same volume is reproduced with every touch.

Constant

Use the slider to define volume if you have selected constant touch curve.

7.7.5 TUNING

Im Bereich Stimmung können Sie alle Stimmungsparameter Ihres Digitalpianos editieren. Es stehen folgende Parameter zur Verfügung:

Transposition

Here you can raise or lower the pitch of your digital piano in 12 semitone steps.

Tuning

Here you can change the overall tuning of your digital piano, for example to match it to another instrument. The default tuning pitch is 440 Hz.

Temperature

Here you can adjust the tuning temperature of your digital piano, e.g. to play music from older eras with the greatest possible authenticity. This is especially useful for the harpsichord sound of your GEWA digital piano.

Equal: Equal temperament (standard tuning on modern pianos)

Pythagorean: Tuning system based on pure fifths, suitable for ancient and medieval music.

Pure Major: Pure tuning for modal music, such as classical Indian music.

Pure Minor: Pure tuning for modal music in minor key.

Meantone: Meantone tuning based on pure thirds, suitable for Renaissance and Baroque music.

Werck. III: Well-tempered tuning system inspired by J.S. Bach's cycle "The well-tempered Piano".

Kirnb. III: Another well-tempered tuning system, often used on baroque organs.

Root Note

In the Root Note menu item, the root note of the set tuning temperament is defined. For example, if you select a pure major tuning, and the piece is in E major, you should move the root note to E.

7.8 GENERAL PIANO SETTINGS

The 4 dots in the upper right corner of your start screen open a menu with further, general settings of your GEWA digital piano.

7.8.1 PIANO INFORMATION

This allows you to view information about your GEWA digital piano such as the serial number, firmware version and soundbank version. This is especially useful in service cases.

The Piano remote App automatically checks whether the software of your GEWA digital piano is up to date. If this is not the case, a corresponding note will appear below the firmware version.

7.8.2 LANGUAGE

Select the language of your GEWA Piano Remote App here.

7.8.3 MIDI SETTINGS

Here you can adjust the MIDI settings of your GEWA digital piano. The following parameters are available:

Output Channel

Defines the midi channel between 1 and 16 on which the MIDI data of the piano will be transmitted.

Local Control

In the „Off“ setting, the sounds played on the keyboard are sent via the MIDI interfaces, but not to the internal sound engine. This is useful if you want to use another instrument or a computer-based recording software with the keyboard of your digital piano without simultaneously outputting a sound from the digital piano. In the default setting, „On“ the keyboard is directly connected to the internal sound engine.

Program Change

In the „On“ setting, a command is output via the MIDI interfaces each time the sound setting is changed. For example, when recording with a computer, the program change can be recorded or the sounds of an external sound engine can be switched. In the „Off“ setting, these commands are not sent.

Piano Mode

When Piano mode is on, channels 1 and 2 of incoming MIDI notes are played back with piano effects (string resonances, etc.) when a piano sound is selected.

7.8.4 VOLUME SETTINGS

This allows you to make various volume adjustments to your GEWA digital piano:



NOTE

Audio Input Volume

Control the playback volume of external devices connected to the line input or connected via Bluetooth.

Audio input reverb effect

The playback of external devices can also be provided with a reverb effect. This parameter controls its volume.

Maximum headphone volume

If the slider is set to the far right, the headphones can be set to full power. If it is moved to the left, this will be limited.

Bluetooth-Volume

Controls the input volume of the Bluetooth audio signal.

7.8.5

BLUETOOTH-SETTINGS

Disconnect or connect to your GEWA digital piano. Via the setting “automatically connect” you can automatically connect to your digital piano at the next start.

7.8.6

LESSON-LIBRARY

Here you can view the available lesson books. See the lesson player menu item.

7.8.7

PIANO-SETTINGS

In this menu item you can make general settings on your piano:

Start-Up Settings

This parameter allows you to set whether the piano should start with the last settings made (LAST) or with the default settings (FACTORY).

Auto Power-Off

After the time set here, the piano will turn off completely. To deactivate the function, press the left arrow key until “Off” appears.

Display Brightness

Set the brightness of the display here.

Factory Reset

Here you can reset your digital piano to factory settings.

8. USEFUL INFORMATION

At this point, we would like to provide definitions for a few terms that are used in this manual. We also explain the special features of your digital piano here.

8.1

INDEX

Term	Definition
MIDI	<p>Musical Instrument Digital Interface is a data transmission protocol. That means that musical control information is transmitted between electronic instruments such as digital pianos, keyboards, synthesizers, drum computers and also PCs and laptops. To exchange this control information, the instruments/computer need MIDI connectors and a connection must be made between them. There are different MIDI connections with different functions: MIDI-IN, MIDI-OUT and MIDI-THRU. The latter forwards the data received via the MIDI input unaffected to another MIDI device.</p> <p>Example: When you press a key on the digital piano, small data packages are sent via its MIDI OUT port. These data packages contain information concerning the pitch and velocity of the corresponding tone. They can, for example, be recorded, stored and played back on the computer. Moreover, they can be transformed into musical notation on screen if there is an appropriate program.</p>
GM	<p>General-MIDI (abbrev. GM) standardises significantly more than the universal MIDI standard. The latter is both a hardware and protocol specification. General-MIDI also specifies content. GM sets a minimum standard for the allocation of instruments on the 128 program slots. According to GM, a compatible tone generator must be able to produce 24 sounds at a time. According to GM, further control parameters are defined e.g. the effect control.</p>
General MIDI Sounds	<p>Sounds or instruments according to the specifications of the general MIDI standard.</p>
Reverb	<p>The device simulates how the sound in a room would be. This sound simulation is already preconfigured for some sounds to make them more realistic.</p>
Chorus	<p>The Chorus Effect adds a copy of the played notes which is slightly detuned. Therefore the sound seems fuller.</p>
Samples	<p>Samples are sound recordings of instruments. The notes of the instruments are recorded and stored individually. When you play a note on the keyboard of the digital piano, the corresponding recordings are played back.</p>
Polyphony	<p>Der With electronic instruments, the term 'polyphony' refers to how many tones can be played at the same time.</p>

8.2 WARRANTY

The dealer from whom the device was purchased warrants the material and manufacture of the device for a period of 2 years from the date of purchase. In the case of a defect product, the buyer is initially only entitled to a subsequent performance. This includes either the repair or the delivery of a replacement product. Replaced equipment or parts become the property of the dealer.

If the subsequent performance fails, the buyer can either demand a reduction in the purchase price or withdraw from the contract and, if the defect is to be represented by the dealer, claim for damages or reimbursement of wasted expenditure. The buyer must notify defects to the dealer without delay. Proof of warranty is to be provided by a proper confirmation of purchase (proof of purchase e.g. invoice)

Damage caused by force or other external influences are not covered by the warranty, nor are the consumption of consumer goods such as rechargeable batteries, strings, skins or seals. If you suspect a warranty claim with your device, contact your dealer during normal business hours.

9. TROUBLESHOOTING AND REPAIR

If malfunctions occur, you can use the tips listed here to find and solve the issue yourself. If you are unsuccessful, please contact your dealer.

Problem	Possible cause(s)	Possible solution(s)
The piano does not switch on.	<ul style="list-style-type: none"> Power plug is not plugged in. Power cable is not connected properly. 	<ul style="list-style-type: none"> Check the power cable and its connections. Reconnect it if necessary.
Crackling/pop noise when switching on/off.	<ul style="list-style-type: none"> This is normal and may occur when the digital piano is turned on and off. 	
Noise occurs through speakers during operation.	<ul style="list-style-type: none"> Interference with other devices (e.g. mobile phones) 	<ul style="list-style-type: none"> Increase the distance between the digital piano and other devices or turn off the other devices.
The sound is too low or is not audible at all.	<ul style="list-style-type: none"> The volume control is set too quietly. Headphones are connected. 	<ul style="list-style-type: none"> Make the volume control go louder. Remove them.
The pedals are not working properly.	<ul style="list-style-type: none"> The pedal cable is not properly connected. 	<ul style="list-style-type: none"> Check that the pedal cable is properly in the socket. Reconnect if necessary.

10. TECHNICAL DATA

Name	Feature
Dimensions B x T x H (with set up music desk) in cm	135x41x118 (136)
Weight	41,5 kg
Power Input	max. 75 Watt
Keyboard	88 keys, Concert Pianist, Graded Hammer
Touch Sensitivity	6 Levels (Soft 1, Soft 2, Medium, Hard 1, Hard 2 and Constant)
Pedals	Damper-, Sostenuto- and Piano Pedal
Sound source	GEWA music samples with 4 stereo layers
Polyphony	256
Amount of internal sounds	40
Amplifier output RMS	2x20 Watt
Speakers	2x Full-Range Speakers
Recording function	Integrated 2-Way Recorder + USB WAV Recorder
Recording format	Standard MIDI-File / .WAV
Connections	<ul style="list-style-type: none">- power socket- MIDI In- MIDI Out- LINE In- LINE Out- 2x headphone sockets (6,3mm jack)- USB Type A- USB Type B- Sustain Pedal