

USER MANUAL

GEWA Digital Piano **UP355**



Please follow the download link to the complete user's manual:
gewakeys.com/service/downloads

Manufacturer:
GEWA music GmbH
Oelsnitzer Str. 58
08626 Adorf
GERMANY

www.gewamusic.com

Version 1.0

As of 27.07.2022

1	SAFETY INFORMATION	5
1.1	Explanation of symbols	5
1.2	Use as intended	6
1.3	Improper use - examples	6
1.4	Safety precautions	7
1.5	CE mark	8
1.6	Disposal	8
2.	SCOPE OF DELIVERY	9
3.	UP355 ASSEMBLY INSTRUCTIONS	10
4.	UP355 FIRST STEPS	12
4.1	Your digital piano's controls	12
4.2	Controls and pedals	13
4.3	Music table / connections / underside	15
5.	OPERATING	17
5.1	Switching on	17
5.2	Sound selection	17
5.3	Favorites	18
5.4	Metronome	18
5.4.1	Switching the metronome on/off	18
5.4.2	Changing the metronome speed	18
5.4.3	Changing the time signature	19
5.4.4	Metronome settings	19
5.4.5	Mute the metronome	19
5.5	EQ-Settings	19
5.5.1	User EQ-Settings	19
5.6	Recording menu	20
5.6.1	Internal recording option	20
5.6.2	USB recording option	20
5.7	Player	20
5.7.1	Internal player	21
5.7.2	USB Player	21
5.8	Piano settings	21
6.	PIANO SETTINGS	21
6.1	Table of settings	22
6.2	General settings	23
6.2.1	Key transpose / transposition	23
6.2.2	Tuning / fine-tuning the sounds	23
6.2.3	Max Phones Volume	23
6.2.4	Input Volume	24
6.2.5	Input reverb / reverb volume	24
6.2.6	Start-Up settings	24
6.2.7	Piano information	24
6.3	Piano settings	25
6.3.1	Keyboard response / touch sensitivity	25
6.3.2	Damper Pedal	26
6.3.3	Una Corda Level	26

6.3.4	Sympathetic resonance / string resonance	26
6.3.5	Temperament / tuning	27
6.3.6	Root note	27
6.4	USB	28
6.5	Bluetooth	28
6.5.1	BT. Audio Vol	28
6.5.2	Bluetooth	29
6.5.3	Bluetooth Audio	29
6.5.4	Bluetooth MIDI	29
6.6	MIDI settings	29
6.6.1	Transmit channel / MIDI channel	29
6.6.2	Local Control	30
6.6.3	Program change	30
6.6.4	Piano mode	30
7.	USER CALIBRATION KEYBOARD	31
7.1	Calling up the calibration mode	31
7.2	Creating a user calibration	31
7.3	Comparison of factory and user calibration	32
7.4	Saving and deleting the user calibration	32
7.5	Exiting calibration mode	32
8.	OPERATION VIA APP	33
8.1	Connecting to the piano	33
8.2	Favorites	33
9	CONNECTING EXTERNAL DEVICE	34
9.1	Connecting the headphones	34
9.2	Connecting playback device	34
9.3	Connecting the amplifier	34
9.4	Connecting your PC	35
9.5	Bluetooth	35
10	INFORMATION	36
10.1	Explanation of terms	36
10.2	Warranty	37
11	TROUBLESHOOTING	37
12	TECHNICAL DATA	38

Dear customer,

Thank you for choosing a digital piano from GEWA music! You have chosen a high-quality digital piano that will give you an impressive sound experience and much pleasure. Additional functions extend the possibilities of your digital piano far beyond piano playing.

Your safety is very important to us!

For this reason, please read the safety information carefully and follow it precisely. Keep these operating instructions in a safe place and pass them on to the respective user.

1

SAFETY INFORMATION

The manufacturer is not liable for personal injury or property damage resulting from improper use of the device!








NOTE

Only use your digital piano in accordance with the regulations listed here!

1.1

EXPLANATION OF SYMBOLS

The following symbols are used in these operating instructions to indicate dangers and instructions!

Hazard level	Symbol	Meaning	Definition
Serious injuries		WARNING	Severe to fatal injuries if ignored
Serious injuries from electric shock		WARNING	Supplement to indicate the danger of electric shock.
Minor injuries and damage to property		CAUTION	Minor injuries and/or damage to property may occur if the safety instructions are ignored.
Note		NOTE	Important information when using the device
Tip		TIP	Tips for use

1.2 USE AS INTENDED

The digital piano is intended for use in dry rooms.

- Devices for audio playback (as input or output) or for data communication can be connected. However, the relevant technical specifications must be observed (see the "Technical data" section).
- The electrical connection may only be made to properly installed power supplies. The mains voltage on the rating plate must match the mains voltage in the country of use.
- The digital piano may only be used in the original delivery condition described below. Modifications of any kind are not permitted and will immediately invalidate the warranty.
- The digital piano must be set up on securely fastened, stable and level floors or platforms that are suitable for its weight.

1.3 IMPROPER USE - EXAMPLES::

- Use outdoors or in the rain
- Use in damp rooms
- Connection to incorrect supply voltage or incorrectly installed electrical power supplies.
- Use in the immediate vicinity of electrical or electronic devices such as stereo systems, televisions or cell phones
- These devices can cause interference and impair the sound quality.
- Excessively long electrical connection cables can also impair the sound quality.
- Transport and installation in places or vehicles subject to strong vibration, dust and heat (e.g. in direct sunlight)



NOTE

The manufacturer accepts no liability for damage resulting from the following:

- Disregard of the safety instructions
- Improper handling
- Use with connected devices that do not match the technical data listed below

1.4

SAFETY PRECAUTIONS

It is essential that you follow the safety precautions listed here. Failure to do so can have serious consequences:

- Serious injuries or even fatal accidents
- Electric shocks
- Short circuits
- Damage
- Fire

Other hazards are conceivable, so this is not an exhaustive list.



WARNING



Fatal electric shocks

- Even low electric currents can lead to serious injuries and death!
- Never open the piano casing!
- Never use damaged power cables!
- Lay the power cable in such a way that it cannot be damaged.
- Never place containers filled with water or liquids (vases, glasses, etc.) on the instrument.
- Never pour water or liquids into the digital piano or the keyboard.
- Never clean the digital piano with a wet cloth.
- Never insert or remove the mains plug from the socket with wet hands. Never pull on the cable as this can damage it.
- If liquid accidentally gets into the digital piano, unplug it immediately. Then have the digital piano checked by your GEWA customer services team.



WARNING

In the event of unusual occurrences

- Switch off the digital piano or pull out the mains plug if there is a sudden loss of sound during use of the digital piano or if the digital piano produces an unusual odour or smoke.
- In this case, have the digital piano checked by your GEWA customer services team.



WARNING

Fire protection

- Open flames such as candles or oil lights can tip over and cause a fire.
- Never place objects with open flames on the digital piano!



CAUTION

Damage to the digital piano

- Inappropriate electrical voltages can damage the digital piano.
- Only operate the digital piano within the permissible voltage range (as specified on the respective rating plate)
- Only use the mains cable supplied
- Never lay the power cable near heat sources such as radiators or heaters
- Do not bend or kink the mains cable excessively and do not damage it in any other way.
- Lay the mains cable in such a way that nobody can step on it, trip over it or roll anything over it.
- Do not place any objects on the mains cable.
- Check the mains plug at regular intervals and remove any dust or dirt.



CAUTION



Damage to the digital piano due to thunderstorms

- Thunderstorms can generate electrical surges that can damage electrical devices.
- Disconnect the mains plug from the socket during thunderstorms or when not in use for long periods of time (E.g. when on holiday).

1.5

CE MARK

This device fulfills the requirements of the EU Directives: **Directive 2014/53/EU**



EN55020:2007+A11:2011

EN55024:2010

EN55032:2012

EN61000-3-2:2014

EN61000-3-3:2013

EN301489-17:V2.2.1

EN301489-17:V3.2.0

EN62479:2010

EN300328:V2.1.1

Conformity with the above directives is confirmed by the CE mark on the device.

The declaration of conformity can be viewed at the following address:

GEWA music GmbH, Oelsnitzer Str. 58, 08626 Adorf, GERMANY

1.6

DISPOSAL



To dispose of the old appliance, please take it to the collection point of your local waste disposal authority (e.g. waste disposal company, recycling center).

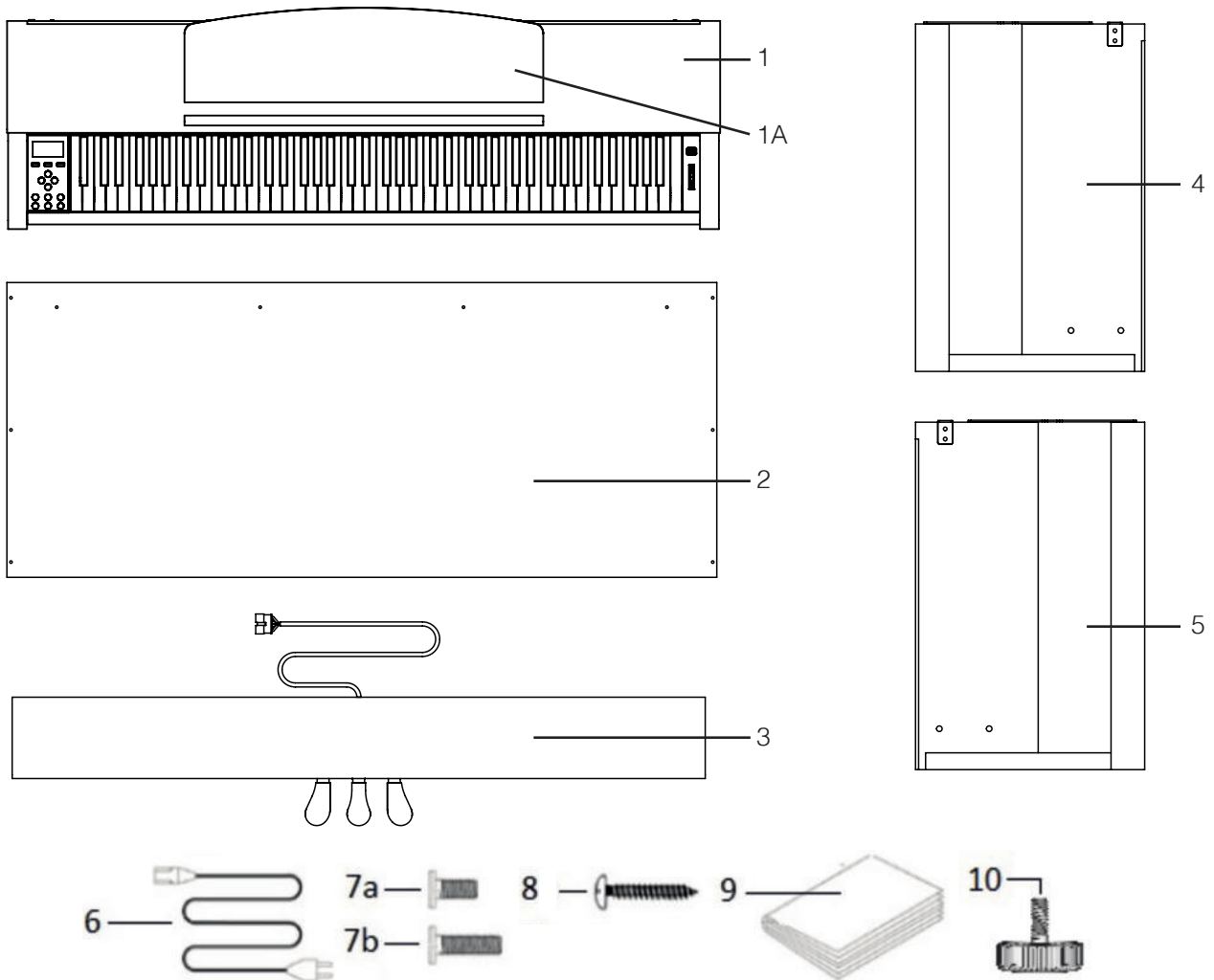
The adjacent symbol means that the old appliance must be disposed of separately from household waste. According to the Electrical and Electronic Equipment Act, owners of old appliances are legally obliged to dispose of old electrical and electronic equipment separately.

Please help and make a contribution to environmental protection by not disposing of the old appliance with household waste.

2

SCOPE OF DELIVERY

Check that the contents of the packaging is complete before starting assembly.



No.	Description	Quantity
1	Music table with keyboard and keyboard cover	1
1a	Music rest	1
2	Rear panel	1
3	Pedalboard	1
4	Left side panel	1
5	Right side panel	1
6	Power supply connection cable	1
7a	Phillips screw M6 x 16	5
7b	Phillips screw M6 x 30	4
8	Phillips head wood screw 3.5 x 30	10
9	Operating instructions	1
10	Adjusting screw	1
Not shown	Headphone bracket	1

3

UP355 ASSEMBLY INSTRUCTIONS

In this section you will learn how to set up your digital piano correctly. You will need the following for assembly:

- A size 2 Phillips screwdriver
- Another person

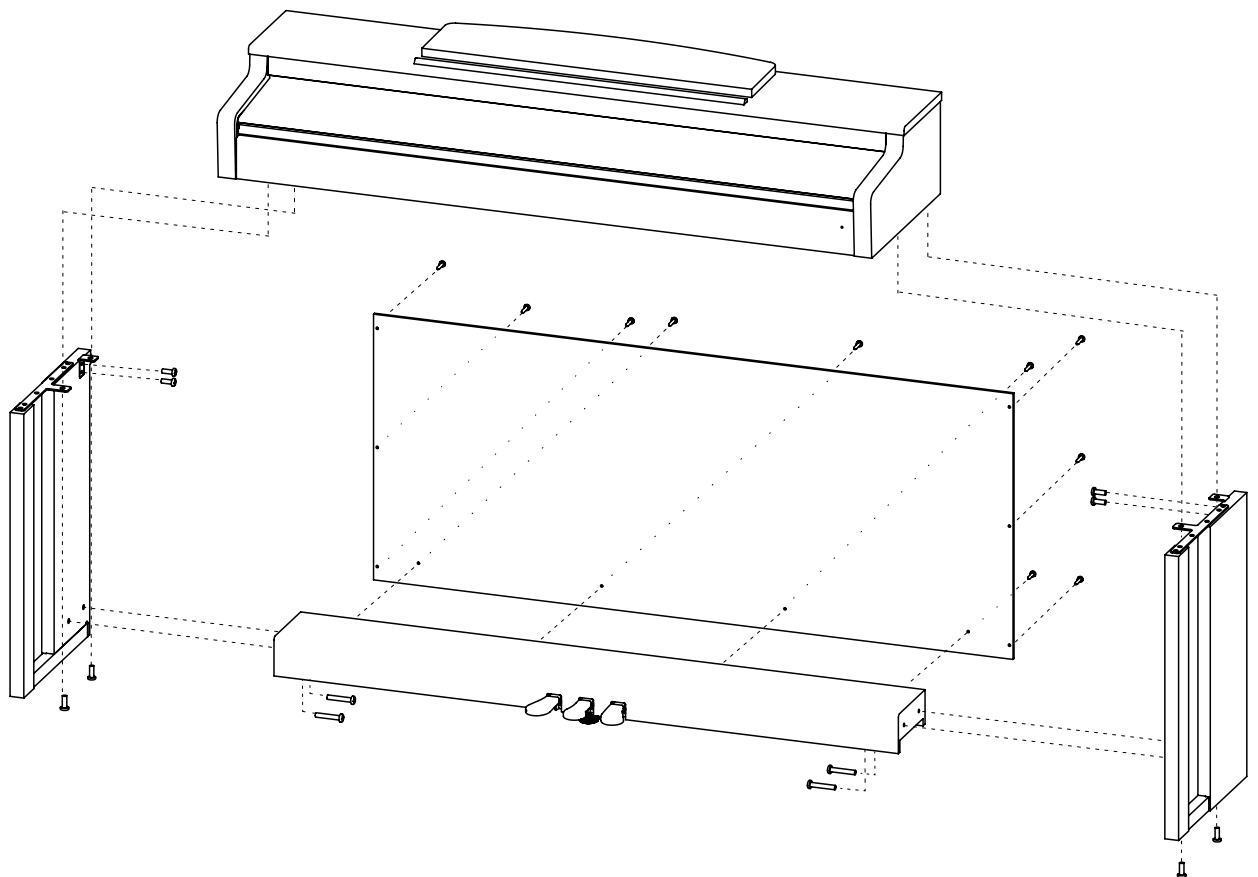


NOTE

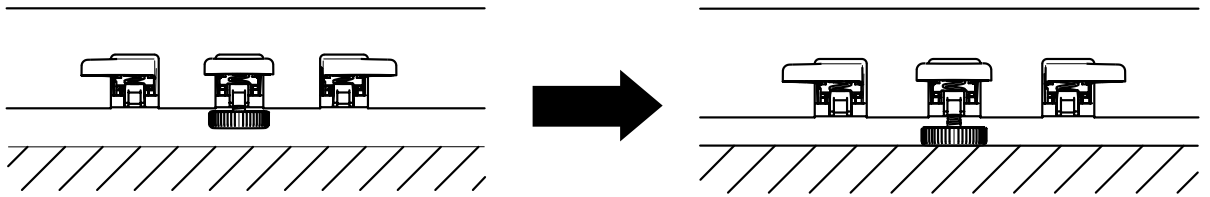
Do not tighten the Phillips screws until all parts of your digital piano have been pre-assembled and aligned.

To assemble your new digital piano:

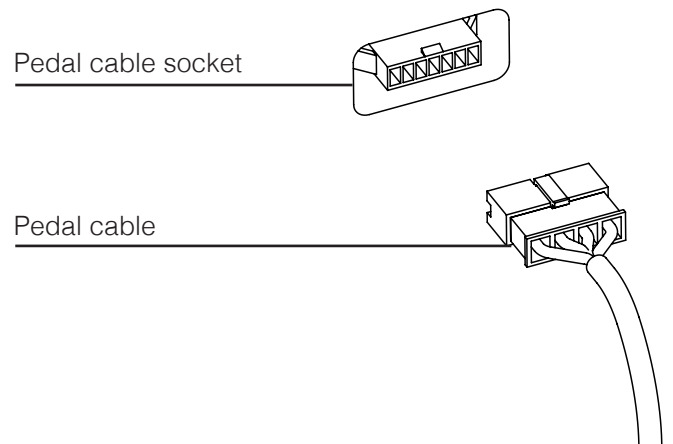
1. Unfold the folded pedal cable (not shown). Screw the adjusting screw (11) into the pedal bar.
2. Connect the side panels (4 and 5) to the pedal board (3) using the M6 Phillips screws (7b).
3. Then attach the rear panel (2) using the 4 Phillips wood screws (8).
4. Now place the music table on the pedestal from above. Ensure that the angles of the side parts are guided into the recess of the music table. Then secure the music table with 4 screws (7a).
5. Now screw the headphone holder to the left underside of the music table using the Phillips screw (7a) provided for this purpose.
6. Align your digital piano and tighten all the screws.



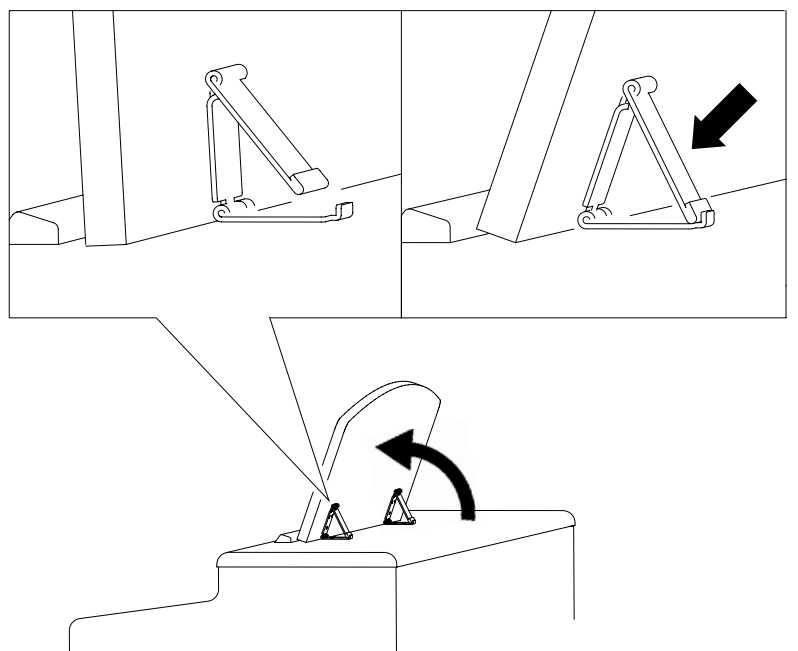
7. Place your digital piano in the desired location and unscrew the adjusting screw (10) under the pedal board (3) until it touches the floor.



8. Plug the pedal cable into the pedal cable socket on the underside of the music table (1) in the correct direction (without using excessive force) and plug the power cable (6) into the "Power" socket on the rear of the piano (not shown).



9. How to set up the music rest:



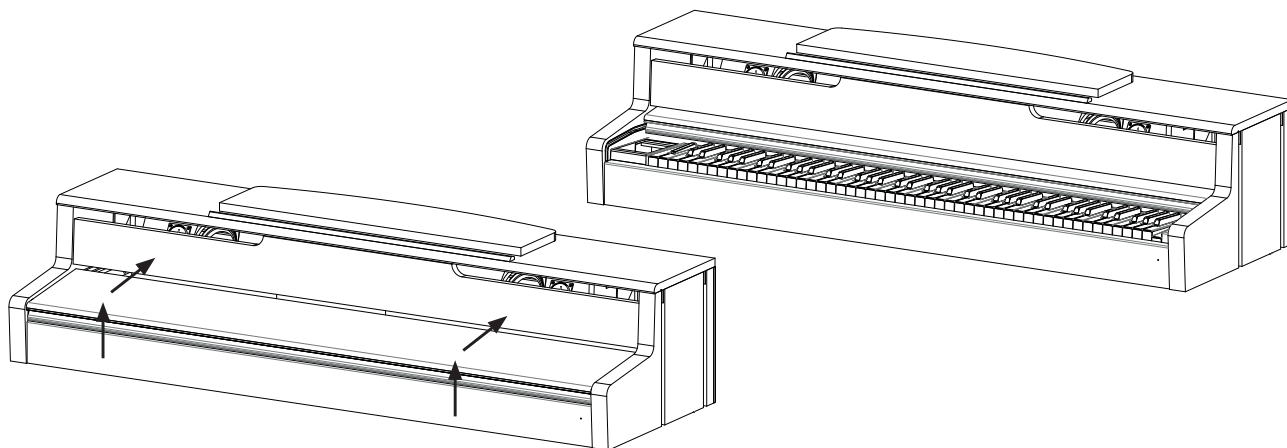
OPENING THE KEYBOARD COVER



CAUTION

Please always use both hands to open the keyboard cover.

Open the keyboard cover as shown in the diagram. To close it, proceed in reverse order.



4

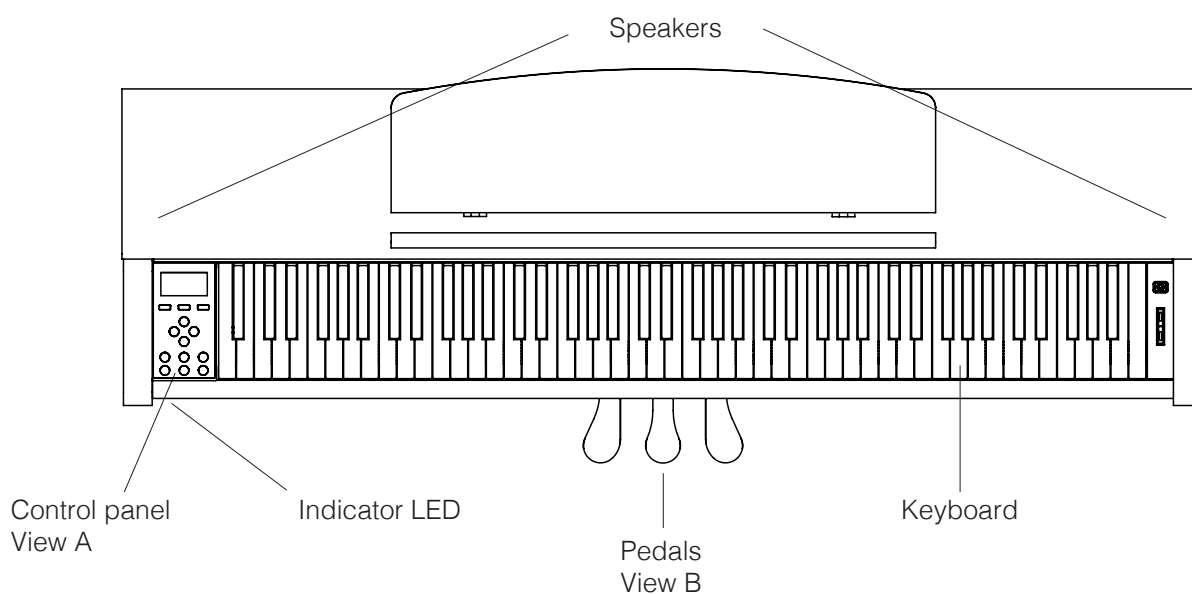
UP355 FIRST STEPS

In this section, we will familiarise you with the controls of your digital piano.

4.1

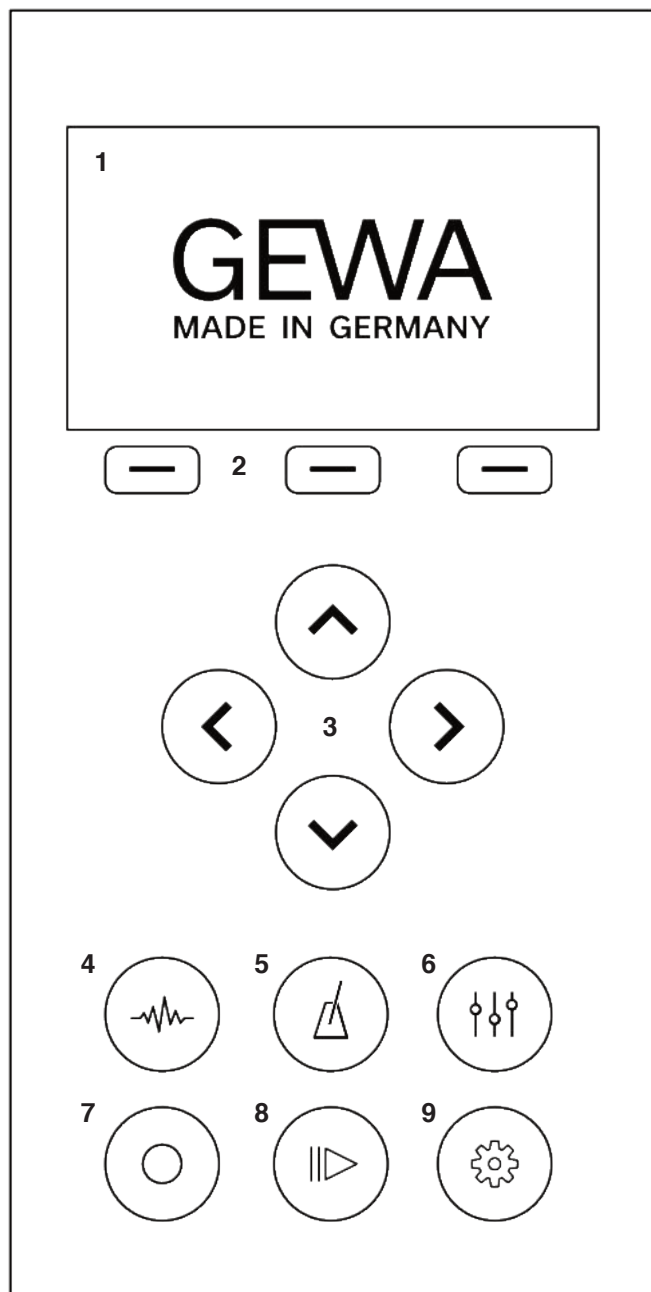
YOUR DIGITAL PIANO'S CONTROLS

Your GEWA digital piano has the following controls:



4.2 CONTROL KEYS AND PEDALS

View A



1. Display

Shows you information about the settings you have selected.

2. Soft buttons

This allows you to call up functions assigned in the display.

3. Cursor keys

Here you can navigate through the respective functions and choose settings.

Menu selection

4. Sound selection

Select the different sounds of your digital piano.

5. Metronome

Open the metronome

6. EQ-Setting

Make adjustments to the sound reproduction of your instrument.

7. Recording

Open the Recording sub-menu

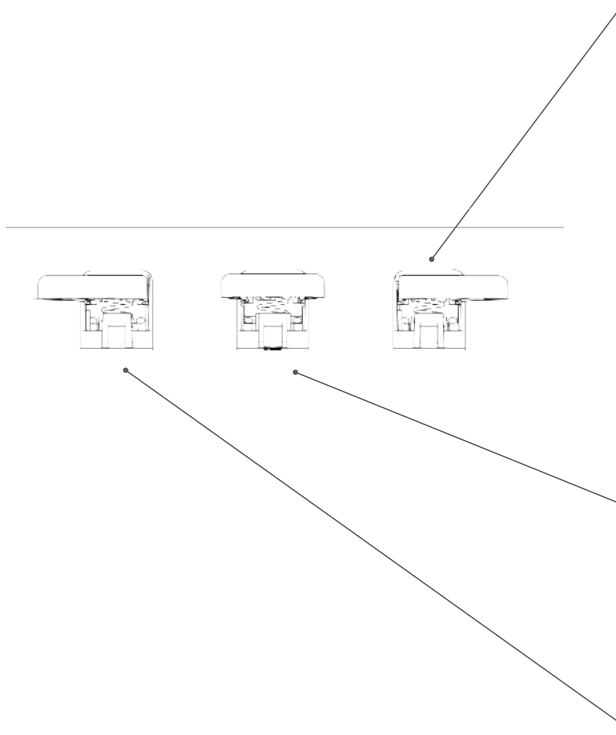
8. Player

Open the Player sub-menu

9. Settings

Select settings for your instrument

View B



Forte pedal (right)

When the forte or sustain pedal of an acoustic grand piano is pressed, all the dampers on the strings are raised. This means that all notes played continue to sound even after the keys are released.

In addition, the strings of the unplayed notes can also vibrate freely, so that their resonance frequencies are stimulated. This results in a fuller sound.

Half-pedal playing is also possible with the Gewa piano pedal. In this case, the simulated dampers are only raised slightly and the notes played decay more quickly than when the pedal is fully pressed down.

Sostenuto pedal (center)

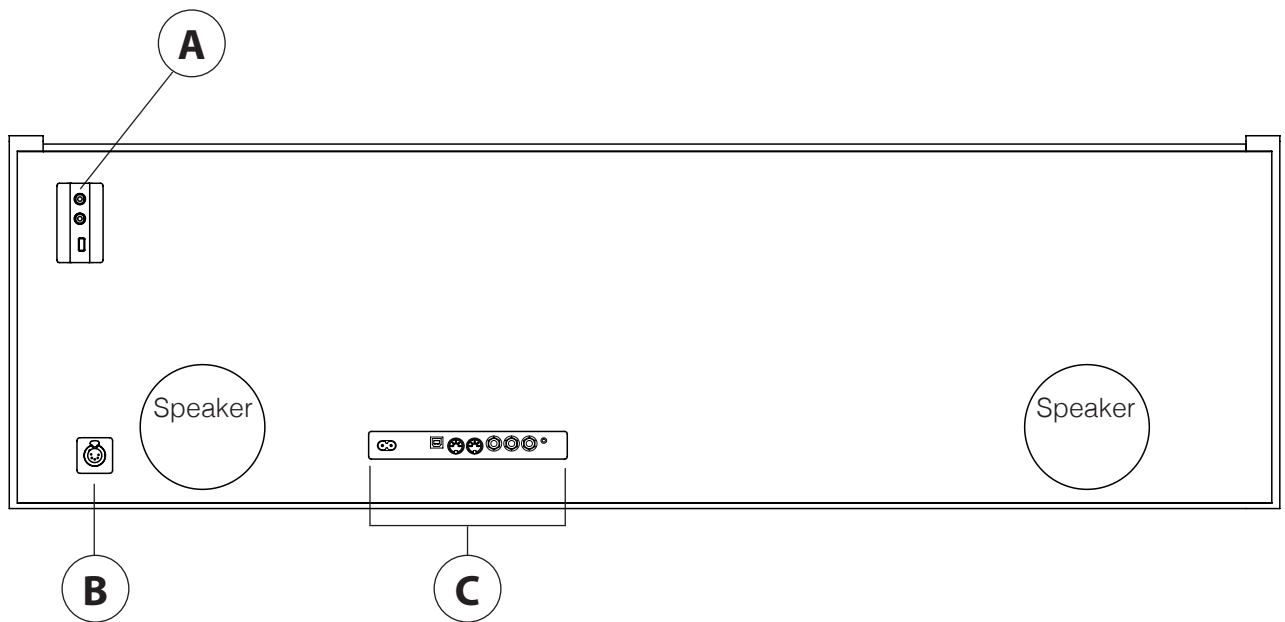
The sostenuto pedal has a similar function to the forte pedal. However, only the notes of the keys that are pressed down at the moment the pedal is pressed are sustained. All other notes are muted as normal

Piano pedal (left)

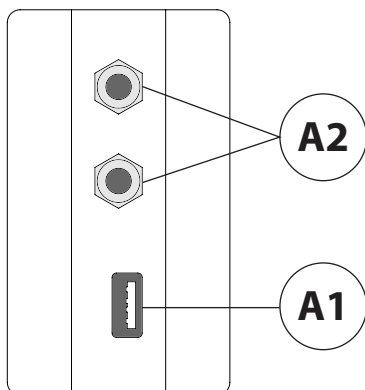
Pressing the piano or una corda pedal simulates moving the piano action a few millimeters to the right. The changed striking position of the hammers produces a different timbre and a slightly softer tone

4.3 MUSIC TABLE / CONNECTION SOCKETS / UNDERSIDE

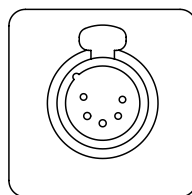
Overview



View A



View B



A1 USB IN/OUT

Connect a USB stick or other USB device here if required..

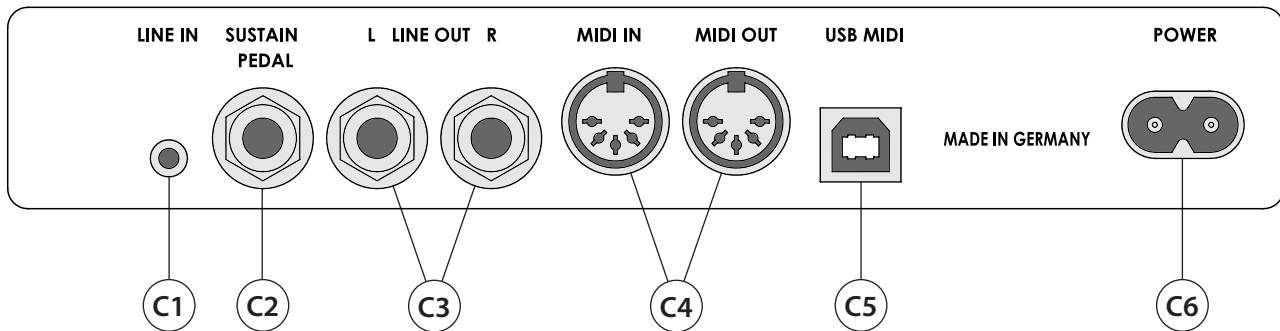
A2 Headphone outputs

You can connect up to two pairs of headphones here.

B Pedal cable socket

This is where the pedal cable is connected.

View C



- C1 LINE IN** This 3.5 mm jack socket is used to connect external sound generators such as MP3 players
- C2 SUSTAIN** You can connect a standard sustain pedal to this 6.3 mm jack socket if you want to use your digital piano without the supplied pedal.
- C3 LINE OUT L/R** This connection is divided into the L(ef) and R(ight) stereo channels. Connect these outputs to a receiving device (e.g. amplifier, recording device,...) via a 6.3 mm jack cable.
- C4 MIDI IN/OUT** Connect MIDI devices here to use the MIDI functions of your digital piano.
- C5 USB-B connection socket** Use this connection to connect your digital piano to your PC.
- C6 Power supply** Connect the digital piano to the power supply using the mains cable supplied.

5

OPERATING



NOTE

All settings you change are saved automatically. This does not apply to settings on the volume control.

5.1

SWITCHING ON

Set the volume control to the middle position before switching on.

1. Press the on/off switch on your digital piano.
2. The LEDs of the cursor keys and the Sound Select button light up. In addition, the indicator LED on the front of your digital piano lights up. The screen shows the GEWA Made in Germany logo.
3. Your digital piano is now ready for use.

5.2

SOUND SELECTION

Your GEWA digital piano has 15 sounds of different categories

Category	Sound
Piano	Piano 1
Piano	Piano 2
Piano	Piano 3
Piano	Piano 4
E-Piano	E-Piano 1
E-Piano	E-Piano 2
E-Piano	E-Piano 3
E-Piano	E-Piano 4
Strings and Choirs	Strings
Strings and Choirs	Choir
Strings and Choirs	Synt Str
Strings and Choirs	Synt Pad
Organ	Organ 1
Organ	Organ 2
Organ	Organ 3
Others	Guitar
Others	Clavi
Others	Vibra
Others	Accord
Others	Harpsichord

Press the Sound Select button and press the left or right cursor key to navigate through the different sounds. Use the up and down cursor buttons to navigate through the sound categories. The currently selected sound is shown on the display.



5.3 FAVORITES

Your GEWA digital piano has a category called “Favorites”. This contains 6 presets that you can completely freely define.

Use the GEWA Piano Control app for this (see p. 33). The app is available for Android and iOS.



Android



iOS

5.4 METRONOME

Your digital piano has a built-in metronome to help you find and keep the right beat while playing.

The metronome has 7 time signatures (1/4, 2/4, 3/4, 4/4, 5/4, 3/8 and 6/8) and is adjustable between 32 and 250 beats per minute (BPM).

5.4.1 SWITCHING THE METRONOME ON/OFF

1. Press the Metronome button to open the Metronome Menu. The Metronome button now lights up.
2. To start the metronome, press the Function button F3 - “Start”
3. To stop the metronome, press the F3 button again.

5.4.2 CHANGING THE METRONOME SPEED

1. Switch on the metronome.
2. Use the cursor keys to adjust the speed of the metronome. Use the Left/Right buttons to select the corresponding digit. You can increase or decrease this by one digit using the Up/Down cursor buttons.

5.4.3 CHANGING THE TIME SIGNATURE

1. To change the time signature, proceed as described in 5.4.2. Press the right cursor keys until you have selected the time signature.
2. Use the up/down cursor keys to switch between different time signatures.

5.4.4 METRONOME SETTINGS

You can change settings to your metronome by pressing the F2 button. Here you will find parameters such as various metronome sounds or the metronome volume. Use the up and down cursor keys to select the parameter. Use the left and right cursor keys to set the value. Press F1 „Exit“ to return to the metronome display.

5.4.5 MUTE THE METRONOME

You can also use the metronome without sound playback. To do this, press the F1 “Sound Off” button on the metronome screen. The metronome will continue to run and the Metronome button will flash at the set tempo.

5.5 EQ-SETTINGS

Your digital piano has various equalizer presets to optimize the sound reproduction of the instrument. Click the EQ-Settings button to access the settings menu.

You can select the various EQ presets using the left and right cursor keys. The following EQ presets are available:

Default

MELLOW 2

MELLOW 1

FLAT

BRIGHT 1

BRIGHT 2

5.5.1 USER EQ-SETTINGS

You can use the “Up” and “Down” cursor buttons to switch between factory EQ settings and user settings. The user EQ settings have 6 preset slots. These can be set via the GEWA Piano Remote app and assigned to your favorite sounds.

5.6 RECORDING MENU

Your GEWA digital piano has MIDI and USB-WAV recording functions.

5.6.1 INTERNAL RECORDING OPTION

To use the internal recorder, proceed as follows:

1. Press the Recorder button to switch to recording mode.
2. Use the left and right cursor keys to select whether you want to record a song on your USB stick or on the instrument. Now select "Internal" and press F3 to confirm.
3. You are now in the recording screen. Use the Left and Right cursor keys to select whether you want to record the left or right hand. Use the Up and Down cursor keys to select the song memory location (Song 1 - Song 4). You can switch the metronome on and off by pressing the F2 button. Press F3 to start recording.
4. To stop the recording, press F3 again. You can now listen to the recording directly or start it again.

5.6.2 USB RECORDING OPTION

To record audio files to a USB stick, proceed as follows:

1. Connect a USB stick to the underside of the music table.
2. Use the left and right Cursor keys to select whether you want to record a song on your USB stick or on the instrument. Now select "USB" and press F3 to confirm.
3. You are now in the recording screen. Use the cursor buttons "Left" and "Right" to choose between the recording formats .WAV (audio) and .MIDI. Press the "Down" cursor key to define a song name.
4. You can switch the metronome on and off by pressing the F2 button. Press F3 to start recording.
5. Press the F3 button again to stop recording. The recording is automatically saved on your USB stick.

5.7 PLAYER

You can use your digital piano to play your own internal recordings or audio or MIDI files from a USB stick.

To start the player, press the "Player" soft button on the control unit.

You can now use the "Left" and "Right" cursor keys to choose between the internal player and the USB player.

5.7.1 INTERNAL PLAYER

The internal player is visually similar to the internal recorder. You can use the “Up” and “Down” cursor keys to select the corresponding song memory location that you want to play.

You can activate or deactivate the hands/channels to be played using the “Left” and “Right” buttons.

You can repeat or loop parts of the track by pressing F2.

Press F3 to play the track and F3 again to stop playback.

5.7.2 USB PLAYER

In the USB player module, first select the file to be played. You can select a file using the “Up” and “Down” cursor keys. To load this into the player, press the F3 function key. You can navigate through folder structures using the “Left” and “Right” cursor keys.

Once you have loaded a song into the player, the player screen appears on the display. You can start playback by pressing F3. Press F2 to define repetitions / loops and F1 to return to the song selection.

5.8 PIANO SETTINGS

Pressing the cogwheel icon takes you to the general piano settings. Further information on this can be found in chapter 7 Piano settings.

6.

PIANO SETTINGS

Press the cogwheel icon to access the general piano settings. Use the “Up” and “Down” cursor keys to select the desired menu.

The right cursor key takes you to the next submenu or you can use the left and right cursor keys to change the values directly. All changes made to the values are applied immediately. Press the F3 “Reset” button to load the factory settings for the selected parameter.

6.1

TABLE OF SETTINGS

	Main menu	Sub menu	Settings value / info
General Settings	Key Transpose		-12 to +12
	Tuning		427,0 Hz – 453,0 Hz
	Max. Phones Vol.		5 – 20
	Input Volume		0 – 20
	Input -> Reverb		0 – 20
	Start-up Setting		Factory / User / Last
	Piano Information		Shows information about your digital piano / model, serial number, software versions
	Piano Settings	Keyboard Response	Touch Curve
		Minimum Touch	0 – 20
		Constant Velocity	0 – 127
Damper Pedal		Half-Pedal Point	0 – 20
		Damper Resonance	0 – 20
Una Corda Level			-20 to -2
Sympathetic Resonance			0 – 20
Temperament			Equal / Pythagorean / Pure Major / Pure Minor / Mean Tone / Werckmeister / Kirnberger
Root Note			C – B
User Key Calibration			Recalibrating the keyboard
USB	Load Song		Loading MIDI files into the internal memory
	Save Song		Saving internally recorded songs to the USB device
	Delete File		Deleting files from the USB device
Bluetooth	BT Audio Vol		0 - 20 Volume of the Bluetooth audio signal input
	Bluetooth		On / Off Switches the Bluetooth module on/off
	Bluetooth Audio		ON / OFF Indicates whether there is an active audio connection
	Bluetooth MIDI		ON / OFF Indicates whether there is an active MIDI connection
MIDI	Transmit Channel		1-16
	Local Control		On / Off
	Program Change		On / Off
	Piano Mode		On / Off
System	Language		English, Dutch, French, German, Italian, Spanish
	Display Settings	Backlight	0 – 20
	Auto Power Off		OFF / 15 / 30 / 60 / 90 / 120 min
	Default Restore		Reset to factory settings

6.2 GENERAL SETTINGS

You can change general settings in this menu.

To access the General Settings submenu:

1. Activate the FUNCTION menu by pressing the Menu soft button.
2. Use the Up/Down cursor keys to select the "General Settings" menu and press the right cursor key.
3. You can exit the menu again by pressing the Exit soft button.

6.2.1 KEY TRANSPOSE / TRANSPOSITION

If you would like to play a piece you have already practiced in a different key (e.g. to match the pitch of a singer or another instrument), you can use Transposition to raise or lower the pitch of your digital piano in 12 semitone steps.

To do this, proceed as follows:

1. Activate the "General Settings" menu (-> page 23) and select the "Key Transpose" submenu.
2. Use the right or left cursor key to set the desired pitch while testing the pitch on the keyboard.
3. Press the Exit soft button to exit the menu.

6.2.2 TUNING / FINE-TUNING THE SOUNDS

If you need to fine-tune the sounds of your digital piano, you can do this as follows:

1. Activate the "General Setting" menu (-> page 23) and use the up/down cursor keys to select the "Tuning" submenu.
2. Use the right or left cursor key to set the desired pitch while testing it on the keyboard.
3. Press the Exit soft button to exit the menu.

6.2.3 MAX PHONES VOLUME

You can use this function to determine the maximum volume of your headphones when the volume control is fully open.

To set this:

1. Activate the "General Settings" menu (-> page 23) and use the up/down cursor keys to select the "Max Phones Vol" submenu.
2. Use the right or left cursor key to set the desired volume.
3. Press the Exit soft button to exit the menu.

6.2.4 INPUT VOLUME

This parameter determines the volume of a piano connected via LINE-IN in relation to the overall volume of the piano.

This is how you set it:

1. Activate the "General Settings" menu (-> page 23) and use the Up/Down cursor keys to select the "Input Volume" submenu.
2. Use the Right or Left cursor key to set the desired maximum input volume.
3. Press the Exit soft button to exit the menu.

6.2.5 INPUT REVERB / REVERB VOLUME

This function allows you to determine how loud the reverb effect should be in relation to the original sound when the volume control is fully open.

This is how you set this:

1. Activate the "General Settings" menu (-> page 23) and use the Up/Down cursor keys to select the "Input -> Reverb" submenu.
2. Use the Right or Left cursor key to set the desired volume.
3. Press the Exit soft button to exit the menu.

6.2.6 START-UP SETTINGS

You can use this function to determine which settings are loaded when the piano is switched on.

This is how you set this:

1. Activate the "General Settings" menu (-> page 23) and use the Up/Down cursor keys to select the "Start-Up Settings" submenu.
2. Use the Left/Right cursor keys to select one of the following options:

Factory: The piano starts with the factory settings.

Last: The piano starts as it was set when it was switched off.

3. Press the Exit soft button to exit the FUNCTION menu.

6.2.7 PIANO INFORMATION

This function allows you to read the hardware and software version of your GEWA digital piano. You will need this when calling the service department.

To call up the information:

1. Activate the "General Settings" menu (-> page 23) and select the "Piano Information" submenu using the Up/Down cursor keys.
2. Display the relevant information by pressing the Right cursor key
3. Press the Exit soft button to exit the menu.

6.3 PIANO SETTINGS

In the Piano Settings, you can adjust the piano settings to suit the player, including the keyboard, pedal and resonance behaviour of your GEWA digital piano. To access the Piano Settings submenu:

1. Activate the FUNCTION menu by pressing the Menu soft button.
2. Use the Up/Down cursor keys to select the "Piano Settings" menu.
3. You can exit the menu again by pressing the Exit soft button.

6.3.1 KEYBOARD RESPONSE / TOUCH SENSITIVITY

You can use the keyboard response function to change the touch dynamics of the keyboard. The more sensitive you set the keyboard, the less force you need to strike the keys to produce a louder sound.

To change the touch sensitivity of your digital piano:

1. Activate the "Piano Settings" menu (-> see 7.3) and use the Up/Down cursor keys to select the "Keyboard Response" submenu.
2. Use the Right cursor key to access the following individual menu items:

Touch Curve: Select one of the following sensitivity levels here:

Medium: Standard setting. Corresponds to medium sensitivity and is recommended for most players.

Soft 1: Very easy setting. Especially recommended for inexperienced players or children.

Soft 2: Even more sensitive than Soft 1.

Hard 1: Setting for players with a stronger touch.

Hard 2: Even less sensitive than Hard 1.

Constant: Without touch dynamics - the same volume is reproduced with every touch.

Test the different sensitivity levels by playing on the keyboard to find the ideal setting for you.

Minimum Touch: Define the minimum velocity here.

Constant Velocity: A constant velocity can be defined here especially for the constant touch curve.

3. Press the Exit soft button to exit the menu.

6.3.2 DAMPER PEDAL

This function allows you to influence the behaviour of the sustain pedal. This is because the damper pedal of an acoustic grand piano not only knows the two states “pressed down” / “not pressed down”, but can also be played in nuanced intermediate steps (“half-pedal play”). In addition, when the pedal is pressed down, the undampened strings resonate softly (“string resonance”).

These two characteristics are simulated by your digital piano, which contributes significantly to a natural sound experience.

How to change the pedal settings of your digital piano:

1. Activate the “Piano Settings” menu (-> page 25) and use the Up/Down cursor keys to select the “Sustain Pedal” submenu.
2. Use the Right cursor keys to access the following individual menu items:

Half-Pedal Point: Here you determine the point at which the half-pedal function is to be triggered.

Damper Resonance: Here you determine how strongly the sound of the resonating strings is to be added when the sustain pedal is pressed down.

3. Press the Exit soft button to exit the menu.

6.3.3 UNA CORDA LEVEL

You can determine how strongly the left pedal (Una Corda pedal) of your digital piano should affect your playing.

To do this, proceed as follows:

1. Activate the “Piano Settings” menu (-> page 25) and use the Up/Down cursor keys to select the “Una Corda Level” submenu.
2. Use the Right or Left cursor keys to set the desired intensity while testing this on the keyboard.
3. Press the Exit soft button to exit the menu.

6.3.4 SYMPATHETIC RESONANCE / STRING RESONANCES

On an acoustic piano, the strings of some notes resonate indirectly when a note is struck. This characteristic is simulated by your GEWA digital piano and its intensity can be changed using the sympathetic resonance function.

How to change the string resonance of your digital piano:

1. Activate the “Piano Settings” menu (-> page 25) and select the “Sympathetic Resonance” submenu using the Up/Down cursor keys.
2. Use the Right or Left cursor keys to set the desired intensity while testing this on the keyboard.
3. Press the Exit soft button to exit the menu.

6.3.5 TEMPERAMENT / TUNING

You can use the temperament function to adjust the tuning of your digital piano, e.g. to play music from older musical eras with the greatest possible authenticity. This is particularly useful for the harpsichord sound of your GEWA digital piano.

1. Activate the "Piano Settings" menu (-> page 25) and select the "Temperament" submenu using the Up/Down cursor keys.
2. Use the Right or Left cursor keys to select one of the following tunings:

Equal: Equal temperament (standard tuning for modern pianos).

Pythagorean: Tuning system based on pure fifths, suitable for music of antiquity and the Middle Ages.

Pure Major: Pure tuning for modal music, such as classical Indian music.

Pure Minor: Pure tuning for modal music in minor keys.

Meantone: Meantone tuning, based on pure thirds, suitable for Renaissance and Baroque music.

Werck. III: Well-tempered tuning system, inspired by J. S. Bach's cycle "The Well-Tempered Clavier".

Kirnb. III: Another well-tempered tuning system, often used on baroque organs.

3. Press the Exit soft button to leave the FUNCTION menu.

6.3.6 ROOT NOTE

The root note of the tuning (see 7.3.5) is defined in the Root Note menu item. For example, if you select a pure major tuning and the piece is in E major, you should move the root note to E.

To do this, proceed as follows:

1. Activate the "Piano Settings" menu (-> page 25) and use the Up/Down cursor keys to select the "Root Note" submenu.
2. Use the Right or Left cursor keys to set the desired root note.
3. Press the Exit soft button to exit the menu.

6.4 USB

You can access the data on a connected USB flash drive in the USB menu. To do this, proceed as follows:

1. Insert your USB stick into the socket provided. A pop-up with the information "Drive found" shows you that the piano has recognised the stick.
2. Press the Menu soft button and use the Up/Down cursor keys to navigate to the "USB" menu, which you can open with the Right cursor key.
3. Use the Up/Down cursor keys to select one of the following submenus:

LOAD SONG

A recording saved on the USB data carrier can be loaded onto the digital piano here.

SAVE SONG

Here you can save a recording to the USB flash drive. To do this, use the cursor keys to select the desired song and press "Save" to save it to the stick.

DELETE FILE

Here you can delete a file from your USB flash drive. To do this, select the file to be deleted using the Up/Down cursor keys and press the Delete soft button to delete it.

4. Press the Exit soft button to exit the FUNCTION menu.
5. Remove the USB flash drive. "Drive Lost" appears on the display.

6.5 BLUETOOTH

You can use the Bluetooth menu to make settings for the Bluetooth interface of your digital piano via the Bluetooth menu.

This is how you can access it:

1. Activate the FUNCTION menu by pressing the Menu soft button.
2. Use the Up/Down cursor keys to select the "Bluetooth" menu.
3. You can exit the menu again by pressing the Exit soft button.

6.5.1 BT. AUDIO VOL

You can use this setting to define the input volume of the audio signal via the Bluetooth interface. Use the Left/Right cursor keys to set the corresponding value. Values between 0-20 are possible.

6.5.2 BLUETOOTH

Here you can switch the Bluetooth module on or off using the Left/Right cursor keys.

6.5.3 BLUETOOTH AUDIO

Indicates whether there is an active Bluetooth audio connection to the digital piano.

6.5.4 BLUETOOTH MIDI

Shows whether there is an active Bluetooth MIDI connection.

6.6 MIDI SETTINGS

You can use the MIDI Settings menu to make settings for the MIDI functions of your digital piano.

This is how you can access it:

1. Activate the FUNCTION menu by pressing the Menu soft button.
2. Use the Up/Down cursor keys to select the "MIDI Settings" menu.
3. You can exit the menu again by pressing the Exit soft button.

6.6.1 TRANSMIT CHANNEL / MIDI CHANNEL

The MIDI transmit channel is used to specify which channel (1-16) is used to transmit/receive signals from the digital piano to/from another device.

To set the MIDI transmit channel:

1. Activate the "MIDI Settings" menu (-> see 7.6) and use the Up/Down cursor keys to select the "Transmit Channel" submenu.
2. Use the Right or Left cursor keys to set the desired channel. In doing so, you determine the channel to be set:

With a **split keyboard**, the transmission channel of the right half of the keyboard. The left half of the keyboard is automatically transmitted on the next higher channel.

For **layered dual sounds**, the transmission channel of the first sound. The second sound is automatically transmitted on the next higher MIDI channel.

3. Press the Exit soft button to exit the menu.

6.6.2 LOCAL CONTROL

The Local Control function allows you to use the keyboard of your digital piano in MIDI Out mode without playing the internally assigned sound (Off). Keyboard data is still output via the MIDI OUT connection.

This is useful if you want to operate another instrument or a computer-based recording program via the keyboard of your digital piano without simultaneously outputting a sound from the digital piano.

If you want to play the piano normally via the internal sound generation, set Local Control back to On.

To access the Local Control function:

1. Activate the "MIDI Settings" menu (-> see 6.6) and use the Up/Down cursor keys to select the "Local Control" submenu.
2. Set the parameter to On or Off using the Right or Left cursor key.
3. Press the Exit soft button to exit the menu.

6.6.3 PROGRAM CHANGE

The program change function specifies whether the information about a program change (selection of a new sound) is transmitted between the MIDI device connected to the MIDI OUT port and the digital piano (On) or whether no program change data should be transmitted and received (Off).

To access the Program Change function:

1. Activate the "MIDI Settings" menu (-> see 6.6) and use the Up/Down cursor keys to select the "Program Change" submenu.
2. Set the parameter to On or Off using the Right or Left cursor keys.
3. Press the Exit soft button to exit the menu.

6.6.4 PIANO MODE

In piano mode, you determine how the keyboard data of channels 1 and 2 of the MIDI IN connection is played back. If the piano mode is deactivated (Off), only the GM Chorus can be switched on for all 16 MIDI transmission channels.

If Piano Mode is activated (On), channels 1 and 2 are played back with piano effects (string resonance, damper resonance) instead. The GM chorus is then only available for channels 3 to 16.

To access the Piano Mode function:

1. Activate the "MIDI Settings" menu (-> See 6.6) and use the Up/Down cursor keys to select the "Piano Mode" submenu.
2. Set the parameter to On or Off using the Right or Left cursor keys.
3. Press the Exit soft button to exit the menu.



NOTE

Piano mode is switched on by default and is automatically controlled by the signaling device.

7.

USER CALIBRATION KEYBOARD

Every digital piano is calibrated during the manufacturing process. This means that the touch behaviour (dynamics) of each keyboard is measured in a special procedure and precisely tuned for uniformity between the individual notes and this individual tuning is stored in each device.

As with an acoustic upright or grand piano, it can also happen with a digital piano that the complex mechanism deviates from its original adjustment due to transportation of the instrument or heavy use over a longer period of time, resulting in slight irregularities. In the case of an acoustic upright or grand piano, the action is therefore adjusted at regular intervals by a piano tuner to restore even playability.

Your GEWA digital piano reacts much less sensitively to transportation or stress. However, should it happen that one or more keys play too loudly or too softly, you can easily adjust them yourself in the piano's software. We offer a calibration mode on all our models for this purpose. Although it is very easy to use, we recommend that only experienced users carry out the calibration themselves and, if in doubt, consult a piano tuner or trusted dealer.

7.1 CALLING UP THE CALIBRATION MODE

Press the Menu soft button to access the Function menu. Now use the cursor keys to select the Piano Settings sub-item. In this menu, you will find the sub-item "User Key Calibration". Select this and call up the calibration mode with the Right cursor key.

7.2 CREATING A USER CALIBRATION

If you have never used the calibration mode, the piano will normally start with the factory calibration. If you change the calibration of your digital piano, these changes will be written to the user calibration and the piano will start with this calibration from then on. You can change the user calibration at any time or return to the factory calibration.

To calibrate, carry out the following steps:

1. While the top entry "Key" is highlighted, you can select the key you want to calibrate by simply playing the keyboard. The piano automatically recognises the key and shows it on the right-hand side of the display. Alternatively, you can use the Left and Right cursor keys to navigate from one key to the next.
2. Now select the "Corr." entry with the lower cursor key. Set the calibration value with the Left and Right cursor keys. The attack becomes 'softer' towards the left and 'harder' towards the right.

The bar in the middle shows the deviation from the zero value graphically, the numerical value is displayed to the right of it.

3. Repeat the procedure for each key you wish to calibrate.



TIP

While the “Corr.” entry is selected, play the neighbouring tones with the same velocity again and again for comparison to hear whether the tone you have just calibrated fits in evenly. When correcting, make sure that the correct tone is still selected in the “Key” entry!

7.3

COMPARISON OF FACTORY AND USER CALIBRATION

To check whether the user calibration was successful, it is advisable to compare the velocity behaviour with the original factory calibration.

To do this, use the soft buttons “Factory” (2) for the factory calibration and “User” (3) for the user calibration.

The currently selected calibration is highlighted on the display. The user calibration can be adjusted at any time, whereas no changes can be made to the factory calibration.

7.4

SAVING AND DELETING THE USER CALIBRATION

To save the created user calibration, select the “Save User Calib.” entry and confirm with the Right cursor key. To delete the created user calibration, select the entry “Delete User Calib.” and confirm with the Right cursor key.

7.5

EXITING CALIBRATION MODE

To exit calibration mode, press the “Exit” soft button.



NOTE

Before exiting calibration mode, make sure that the calibration you want to use from now on is selected. If necessary, select it using the “Factory” and “User” soft buttons.

8.

OPERATION VIA APP

Your GEWA digital piano can be connected to your smartphone via Bluetooth. In addition to the standard functions via the Bluetooth audio and MIDI interface, additional settings can also be made via the GEWA Piano Control app.

This app is available for most Android and iOS devices.

You can download the app here.



Android



iOS

8.1 CONNECTING TO THE PIANO

To connect your piano to the GEWA Piano Control app, proceed as follows:

1. Switch the piano on
2. Open the GEWA Piano Control app on your smartphone
3. Follow the instructions for the initial setup of the app

8.2 FAVORITES

Your GEWA digital piano has 6 favorites slots that you can freely define according to your wishes. You will find your 6 favorites on the start page of the GEWA Piano Control App.

9. CONNECTING EXTERNAL DEVICES

Find out more about the connection options for your digital piano here.

9.1 CONNECTING HEADPHONES

Connect your headphones to one of the two 6.3 mm jack connections below the playing music table.



NOTE

If headphones are connected to one or both sockets, the speakers of your digital piano are automatically deactivated and only reactivated when you have removed BOTH headphones.

9.2 CONNECTING A PLAYBACK DEVICE

You can connect playback devices such as a CD or MP3 player to the digital piano. This can be helpful if you want to practise a song and listen to it while playing. The song can be heard from the playback device through the digital piano speakers or the headphones connected to the digital piano. You can control the volume ratio between the song and your piano playing using the INPUT Volume parameter (-> page 24).

9.3 CONNECTING THE AMPLIFIER

If the sound of your digital piano is too quiet via the built-in speakers, you can connect it to a suitable amplifier via the LINE OUT outputs on the underside of the music table.

9.4 CONNECTING YOUR PC

You can also connect your digital piano to your PC via the USB-B port on the underside.

To connect your PC to your digital piano:

1. Switch off your digital piano and the PC.
2. Connect your digital piano to the PC using a suitable USB cable.
3. Switch on your digital piano and the PC.

As a rule, your digital piano is automatically recognised by your PC and you can exchange data using the appropriate software. This is very helpful, for example, if you want to use a recording program on your PC to record and edit your playing.



NOTE

To get information about the data transfer between digital piano and PC, you will typically find corresponding displays on the user interface of your PC software that show you MIDI playing and controller data.

9.5 BLUETOOTH

Your GEWA digital piano has Bluetooth audio and Bluetooth MIDI functionalities (e.g. for using piano apps or MIDI recordings via Bluetooth in your DAW).

To establish an **audio connection**, proceed as follows:

- Press the settings soft button to access the settings
- You will now see the BT-Pair function in the options bar
- Press F2 - BT-Pair to put the piano into pairing mode
- The instrument should now appear as UP355 - Audio in the Bluetooth search of your mobile device
- **The PIN code for the connection is: 4392**

To establish a Bluetooth **MIDI connection**, proceed as follows:

- To establish a Bluetooth MIDI connection, you must not set the piano to pairing mode. The BT-MIDI connection is permanently active and can be connected at any time.
- Use a BT-MIDI capable app for this and follow the instructions there to establish a connection.

10

INFORMATION

At this point, we would like to explain some of the terms used in the operating instructions. We will also explain the special features of your digital piano.

10.1 EXPLANATION OF TERMS

Term	Definition
MIDI	<p>Musical Instrument Digital Interface (digital interface for musical instruments) is a data transfer protocol. It is used to transfer musical control information between electronic instruments such as digital pianos, keyboards, synthesizers, drum computers or also PCs. In order to exchange this control information, the instruments/computers require MIDI connections and a connection must be established between them.</p> <p>Example: When a key is pressed on the digital piano, a data packet is output at the MIDI output (MIDI OUT) of the digital piano. This data packet contains information about the pitch and velocity with which the key was pressed. If the key is released again, this information is also passed on via MIDI. The output data packets can, for example, be recorded on a computer, saved, played back and also displayed as musical notation on the screen, if the appropriate programs are available. Recorded MIDI data must normally first be sent to a MIDI instrument, e.g. a digital piano, in order to make it audible. The information is evaluated and converted into sound, e.g. a recording of a piano note, played with the corresponding velocity, is played.</p>
GM	General MIDI (GM for short) standardises significantly more than the general MIDI standard. The latter is both a hardware and protocol specification. General MIDI also specifies content. GM sets a minimum standard for the assignment of instruments to the 128 program slots. According to GM, a compatible sound generator must be able to produce 24 sounds simultaneously. GM also defines further control parameters, such as effect control.
General MIDI sounds	Sounds or instruments according to the specifications of the General MIDI standard.
Reverb	The device simulates a room situation. This sound simulation is already preconfigured for some sounds to make them appear more realistic
Chorus	The chorus effect adds another tone to the notes played, which is barely audibly out of tune. This makes the sound fuller.
Samples	Samples are sound recordings of instruments. The sounds of the instruments are recorded and saved individually. If you now play a note on the keyboard of the digital piano, the corresponding recordings are played back
Polyphony	With electronic instruments, the term polyphony refers to the maximum number of notes that can be played simultaneously.

10.2

WARRANTY

The dealer from whom the appliance was purchased provides a warranty of 2 years from the date of purchase for the material and manufacture of the appliance. In the event of a defect, the purchaser shall initially only have the right to subsequent performance. Subsequent performance includes either repair or delivery of a replacement product.

Replaced devices or parts become the property of the retailer. If the subsequent performance fails, the buyer can either demand a reduction in the purchase price or withdraw from the contract and, if the defect is the fault of the retailer, demand compensation for damages or reimbursement of wasted expenditure.

The buyer must notify the dealer immediately of any defects found. Proof of the warranty claim must be provided by means of a proper confirmation of purchase (proof of purchase, invoice if applicable). Damage caused by improper handling, operation, storage, force majeure or other external influences is not covered by the warranty, nor is the consumption of consumables such as rechargeable batteries, strings, skins or seals. If you suspect a warranty claim with your device, please contact your dealer during normal business hours.

11

TROUBLESHOOTING

If malfunctions occur, you can use the tips listed here to try to find and rectify the fault yourself. If you are unsuccessful, please contact your specialist dealer.

Possible causes and solutions		
Problem	Possible cause(s)	Possible solution(s)
The piano cannot be switched on	The mains plug is not plugged in; the mains cable is not connected correctly	Check the mains cable and its connections; reconnect it if necessary.
Cracking noise when switching on/off.	This is normal and can occur when the digital piano is switched on and off.	
Noise comes from the loudspeakers during operation.	Interference with other devices (e.g. cell phones)	Increase the distance between the digital piano and other devices or switch off the other devices.
The sound is much too quiet or cannot be heard at all.	The volume control is set very low; headphones are connected.	Turn up the volume control; remove the headphones.
The pedals are not working properly.	The pedal cable is not connected correctly.	Check that the pedal cable is correctly fitted into the socket; reconnect it if necessary

12

TECHNICAL DATA

Name	UP355 Features
Dimensions W x D x H in cm	143.4 x 42.0 x 86.5 (102.5) cm
Weight	55 kg
Operating power consumption	75 Watt
Keyboard	88 keys, Concert Pianist, Graded Hammer
Touch sensitivity	6 levels (Soft 1, Soft 2, Medium, Hard 1, Hard 2 and Constant)
Pedals	Damper, sostenuto and piano pedal
Polyphony	256
Amount of internal sounds	40
Amplifier output RMS	2x 20 Watt
Speakers	2-way speaker system
Recording format	Standard MIDI-file, WAV
Connections	<ul style="list-style-type: none"> - Power socket - MIDI In - MIDI Out - LINE In - LINE Out - 2x headphone sockets (6.3mm jack) - USB type A - USB type B - Sustain pedal

Manufacturer:
GEWA music GmbH
Oelsnitzer Str. 58
08626 Adorf
GERMANY

www.gewamusic.com

Version 1.0

As of 27.07.2022



Subject to changes and errors!