

USER MANUAL

GEWA Digital Piano **UP405**



Bedienungsanleitung | Owners manual | Mode d'emploi | Manual de instrucciones
www.gewakeys.com



Read these operating instructions before use and observe the safety information!

Keep the instruction manual for future reference.

Manufacturer:
GEWA music GmbH
Oelsnitzer Str. 58
08626 Adorf
GERMANY

www.gewamusic.com

Version 1.0

Last update: 18.07.2022

1	SAFETY INFORMATION	4
1.1	Key	4
1.2	Intended use	5
1.3	Improper use	5
1.4	Precautions	6
1.5	CE mark	7
1.6	Disposal	7
2	PARTS SUPPLIED WITH THE PIANO	8
3	ASSEMBLY INSTRUCTIONS	9
4	GETTING STARTED	13
4.1	The controls of your digital piano	13
4.2	Function Keys / Touch Display.....	14
	Pedals	15
4.3	Keyboard Connections	15
5	OPERATING USE	17
5.1	Toolbar	17
5.2	Favorites	17
5.3	Sounds / Sound selection	18
5.4	Effects	19
	5.4.1 Effect Settings	19
	5.4.2 Reverb	20
	5.4.3 Modulation effects.....	20
5.5	Sound Adjustment (EQ)	21
	5.5.1 Combinations	22
5.6	Music.....	24
	5.6.1 Demo Player.....	24
	5.6.2 Internal Player	25
	5.6.3 Internal Recorder	25
	5.6.4 USB Player	26
	5.6.5 USB Recorder	27
5.7	Metronome / Rhythms	28
5.8	Settings	29
6	CONNECTING EXTERNAL DEVICES	34
6.1	Connecting headphones	34
6.2	Connecting a playback device	34
6.3	Connecting an amplifier	34
6.4	Connecting a PC	34
6.5	Bluetooth Audio	35
6.6	Bluetooth MIDI	36
7	USEFUL INFORMATION	37
7.1	Index	37
7.2	Warranty	38
8	TROUBLESHOOTING AND REPAIR	38
9	TECHNICAL DATA	39

Dear Customer,

Thank you for choosing a digital piano from GEWA music!

You have chosen a high-quality digital piano that will give you an impressive sound experience and lots of fun.

Additional functions extend the capabilities of your digital piano far beyond piano playing.

Your safety is very important to us!

Please read the safety information carefully and pay close attention to it. Retain this manual and hand it over to the respective user.

1

SAFETY INFORMATION



NOTE






The manufacturer is not liable for personal injury or property damage resulting from improper use of the device!

Only use your digital piano as directed!

1.1

KEY

The following symbols are used in this operating manual to identify hazards and notes.

Level of danger	Symbol	Importance	Definition
Severe injury		WARNING	Severe to fatal injuries if disregarded
Severe injury through electric shock		WARNING	Additional symbol for danger of electric shock
Slight injury and property damage		CAUTION	Slight injury and / or property damage can occur if the safety instructions are disregarded.
Note		NOTE	Crucial information concerning the handling of the device
Tip		TIP	Application tips

1.2 INTENDED USE

The digital piano is intended for use in dry rooms.

- Devices for audio playback (as input or output) or for data communication can be connected. However, the respective technical specifications must be complied with (see the section "Technical data").
- The electrical connection may only be made to correctly installed power supplies, fulfilling the respective regulations. The mains voltage on the identification plate must correspond to the mains voltage of the country of use.
- The digital piano is only to be used in the original delivery condition described below. Conversions of any kind are not permitted and cause the immediate loss of the warranty claim.
- The digital piano must be placed on securely fastened and weight-suitable, stable and level floors or platforms.

1.3 IMPROPER USE – EXAMPLES:

- Use outdoors or in rain
- Use in damp rooms
- Connection to incorrect supply voltage or improperly installed electrical power supplies.
- Use in close proximity to electrical or electronic equipment such as stereos, televisions, radios or mobile phones.
- These devices may cause interference and affect the sound quality.
- Electrical leads that are too long can also affect sound quality.
- Transport and installation in places or vehicles with strong vibration, dust and strong heat e.g. direct sunlight.

The manufacturer accepts no liability for damage for the following reasons:

- Disregard of the safety instructions
- Improper handling
- Use with devices that are not compatible with the technical data listed below



NOTE

1.4

PRECAUTIONS

Please follow the the precautions listed here. Disregard of precautionary measures can have serious consequences:

- Severe injury or even fatal accidents
- Electric shock
- Short circuit
- Damage
- Fire

Other threats are conceivable; this is not an exhaustive list.



WARNING



Fatal electric shocks

- Even low electrical currents can lead to serious injuries and death.
- Never open the digital piano's casing.
- Never use damaged power cables.
- Lay the power cable in such a way that it can not be damaged.
- Never place containers (vases, glasses etc) filled with water or fluids on the piano.
- Never pour water or liquids on to the digital piano or keyboard.
- Never clean the digital piano with a wet cloth.
- Never plug in or pull out the mains plug with wet hands. Never pull on the cable; it can cause damage.
- If liquid accidentally gets into the digital piano, immediately unplug the power. Then have your digital piano checked by your GEWA service representative.



WARNING

Unusual circumstances

- Turn off the digital piano or unplug the power cable if:
 - There is a sudden loss of sound while using the digital piano
 - The digital piano generates an unusual smell or smoke
- Be sure to have the digital piano checked by your GEWA service representative



WARNING

Protection against fire

- Open flames such as candles or tealights can tip over and cause a fire
- Never place objects with open flames on the digital piano!

**CAUTION****Damage to the digital piano**

- Inappropriate electrical voltages can damage the digital piano.
- Only operate the digital piano in the permissible voltage range (as indicated on the respective identification plate).
- Only use the supplied power cable.
- Never place the power cable near to sources of heat, such as radiators or freestanding heaters.
- Do not bend or kink the power cable, or damage it in any other way.
- Lay the power cable so that nobody can step on it, trip on it or roll over it.
- Do not place objects on the power cable.
- Regularly check the power cable and remove any dust or dirt that may be present.

**CAUTION****Damage to the digital piano through thunderstorms**

- Thunderstorms can generate electrical surges that can damage electrical equipment.
- In the event of a thunderstorm or long periods of non-use (such as travel), unplug the appliance from the mains.

1.5

CE MARK



CE MARK

This device complies with EU directive requirements: **Directive 2014/53/EU**

EN55020:2007+A11:2011

EN55024:2010

EN55032:2012

EN61000-3-2:2014

EN61000-3-3:2013

EN301489-17:V2.2.1

EN301489-17:V3.2.0

EN62479:2010

EN300328:V2.1.1

The conformity with the regulations listed above is confirmed by the CE sign on the device. The declaration of conformity can be viewed at the following address:

GEWA music GmbH, Werkstraße 1, 08626 Adorf, GERMANY

1.6

DISPOSAL

To dispose of the old device, please take it to your local waste management authority (e.g. disposal company or recycling centre).



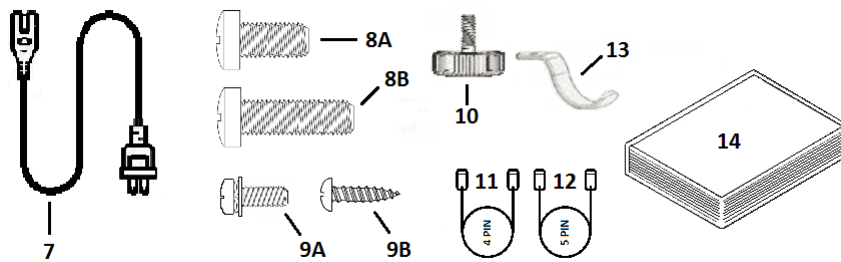
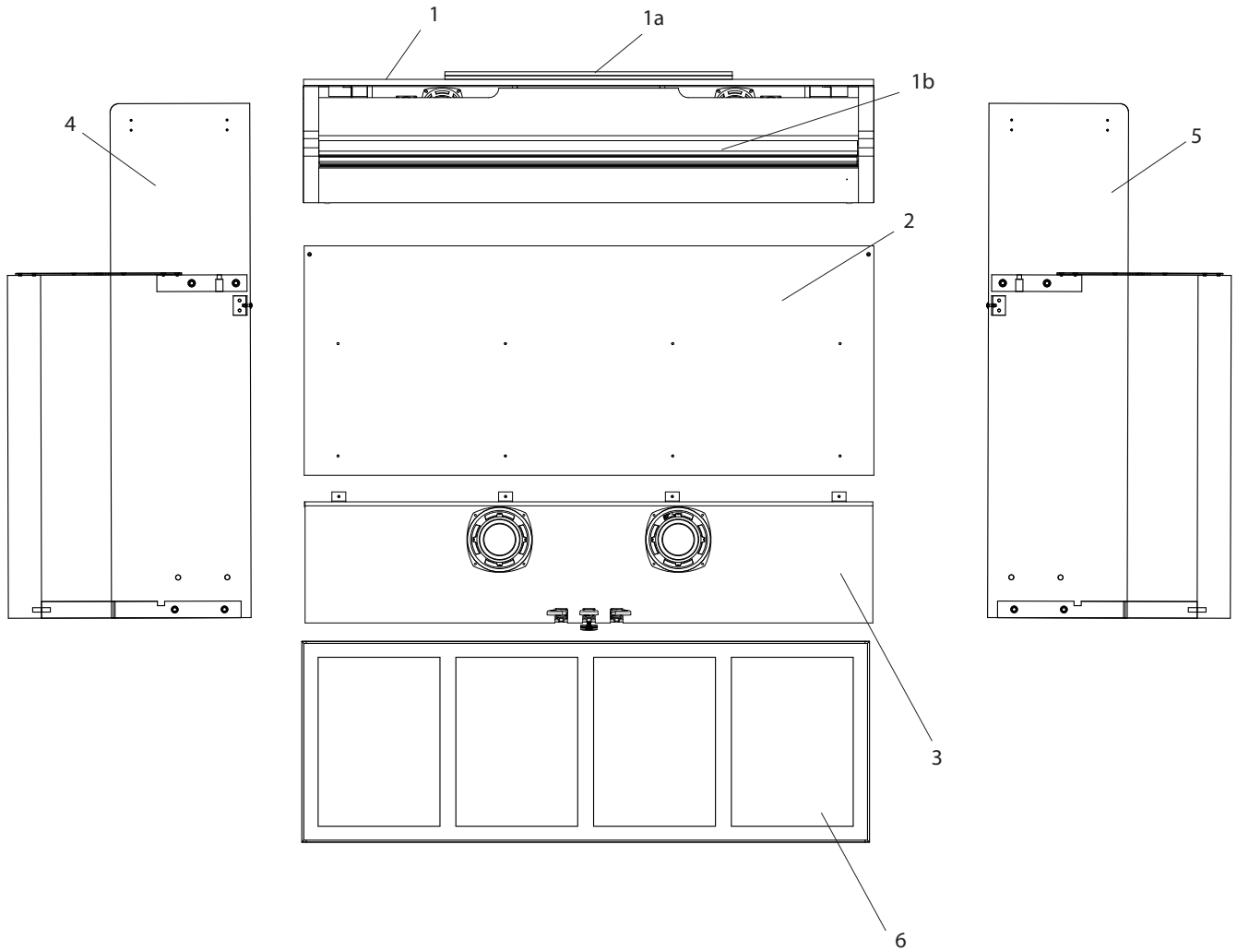
The adjacent symbol indicates that the device must be disposed of separately from household waste. In accordance with the Electrical and Electronic Equipment Act, owners of old appliances are legally required to dispose of old electrical and electronic appliances at a separate and designated waste disposal point.

Please help in contributing to protect the environment by not disposing of the old device in household waste.

2

PARTS SUPPLIED WITH THE PIANO

Check the content of the package for completeness before starting with the assembly.



Pos.	Description	Pcs.
1	Keyboard	1
1a	Music desk	1
1b	Rollable keyboard lid	1
2	Rear panel	1
3	Pedal board / subwoofer housing	1
4	Left side panel	1
5	Right side panel	1
6	Subwoofer cover	1
7	Power cable	1
8a	Phillips screw M6 x 16	2
8b	Phillips screw M6 x 30	6
9a	Phillips screw with spring and flat washer	6
9b	Phillips wood screw 3.5 x 16	4
10	Pedal adjustment screw	1
11	Pedal connection cable (4 pin)	1
12	Subwoofer conneciton cable (5 pin)	1
13	Headphone hanger + phillips screw M6 x 16	1
14	Quick Start Guide	1
not shown	Cable clips	2

3

ASSEMBLY INSTRUCTIONS

In this section we will show you how to easily set up your GEWA digital piano.

For the assembly you need:

- size 2 Phillips screws
- second assisting person

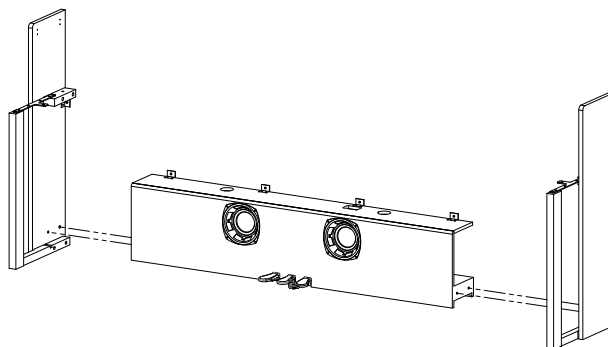


NOTE

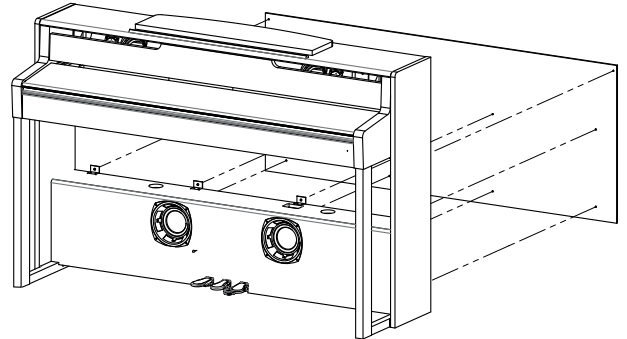
Do not firmly tighten the recessed head screws until all parts of your digital piano are aligned. Make sure you assemble your digital piano on level ground.

Now lets start assembling your GEWA digital piano:

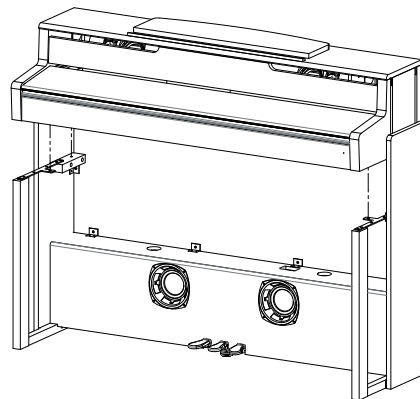
1. Screw the adjustment screw (10) into the thread on the bottom of the pedal.
2. By using the phillips screws (8B), connect the side panels (4 and 5) to the pedal board / subwoofer housing (3).



3. Then attach the rear panel with phillips screws (9A and 9B) at the angle brackets of the side panels and the pedalboard/subwoofer housing.

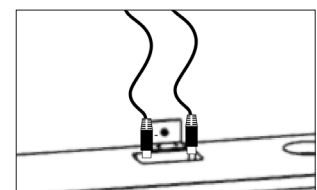


4. Now place the keyboard (1) onto the base from above. The metal guides of the side panels have to slide into the respective groove and the counterpart. Make sure that the angles of the side panels are guided into the millings of the keyboard.

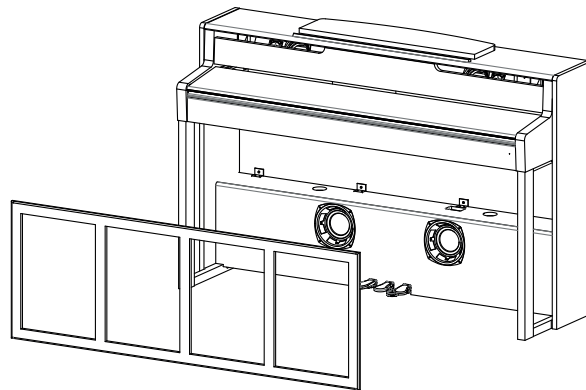


5. Secure the keyboard with 2 screws M6x16 (8A) and 2 screws M6 x 30 (8B).

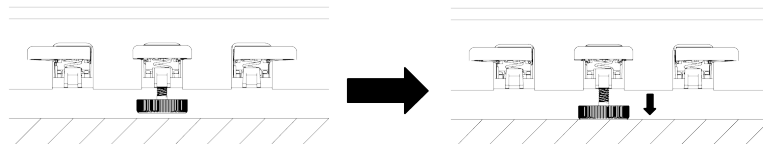
6. Now plug the cables for pedal and subwoofer (11 and 12) into the connectors on the pedalboard and keyboard.



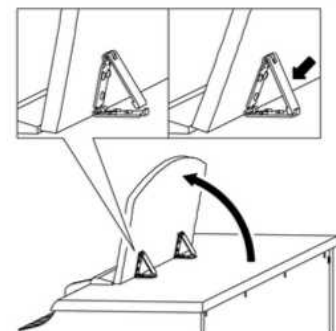
7. Attach the subwoofer cover (6). Guide it past the front strips (4 and 5). There are no screws provided for the cover. It is magnetic.



8. Now screw the headphone hanger onto the left underside of the keyboard by using a phillips screw (13).
9. Plug the enclosed power cord (7) into the back of the piano and secure it with the supplied cable clips.
10. Place your digital piano in the desired location and turn the adjustment screw of the pedal board (3) until it touches the floor.



11. Set up the music desk (1A) as shown below.



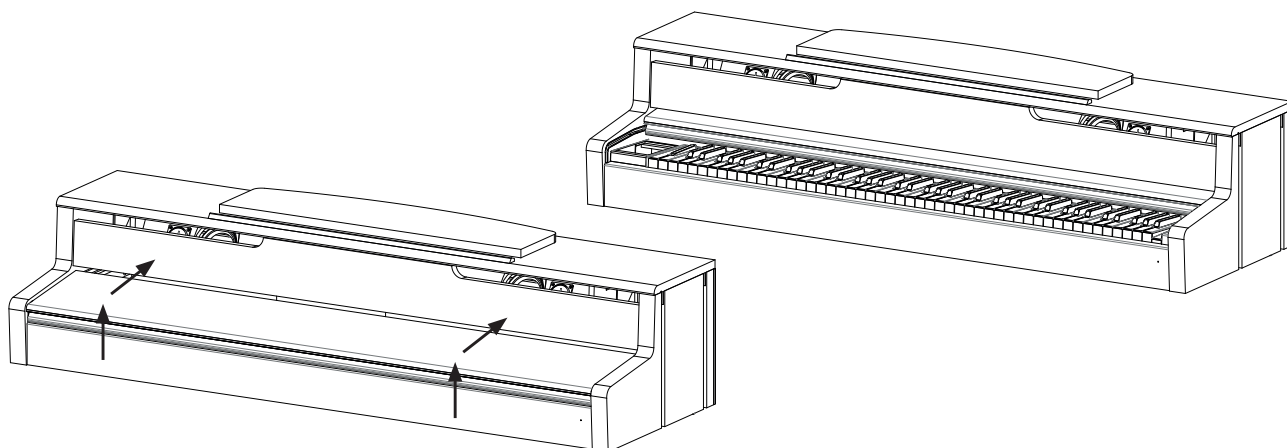


CAUTION

OPENING THE KEYBOARD LID

Please make sure to always use both hands to open or close the lid.

To open the lid please follow below drawing. In the opposite way the lid can then be closed again



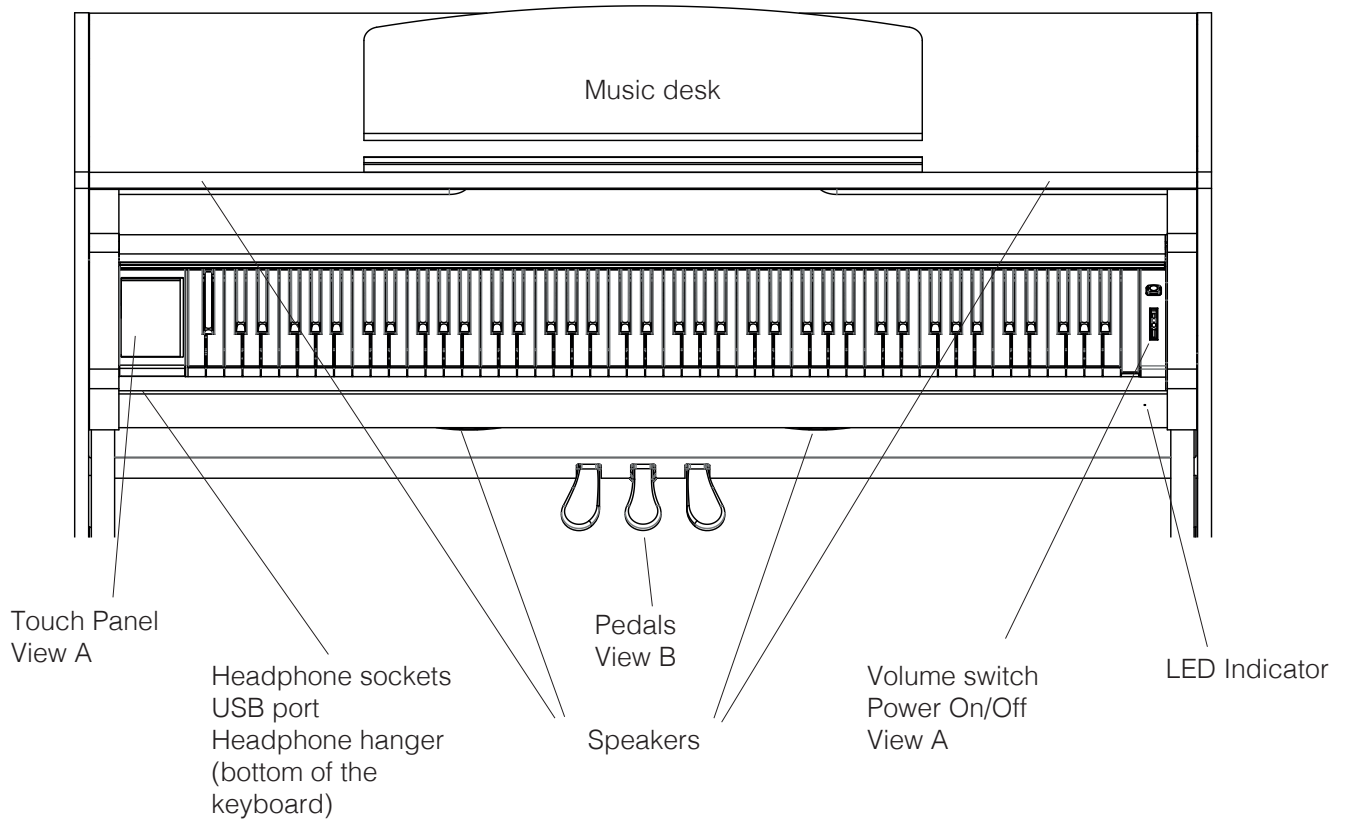
4

GETTING STARTED

Now let's have a look on to the controls of your GEWA digital piano

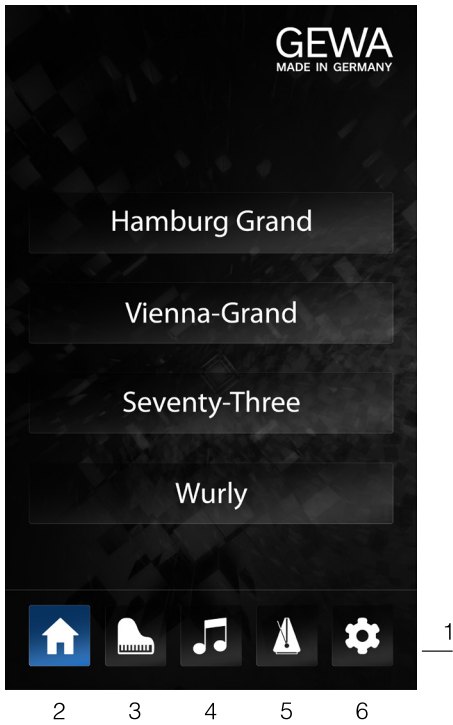
4.1 THE CONTROLS OF YOUR DIGITAL PIANO

Your GEWA digital piano features the following controls:



4.2 FUNCTION KEYS / TOUCH DISPLAY

View A



Touch Display

The touch display shows you information about the settings and is used to control the piano.

Favorite sounds

After switching on the piano there are 4 favorite sounds available on the home screen. You can select them by touching the sound name. When keeping the button pressed, you can select a different sound to be saved within the slot.

1 Toolbar

Here you have direct access to all the functions of the piano

2 Favorites

Displays an editable selection of four most used sounds.

3 Sounds

Gives you access to all the available sounds of the piano

4 Player / Recorder

Displays all the player and recording functions of the piano.

5 Metronome

Enters the metronome menu

6 Settings

Displays all available settings

7 on/off switch

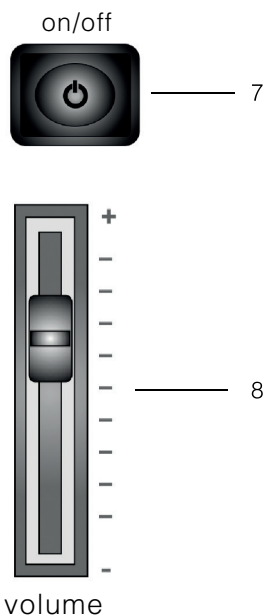
With this switch you can turn your piano either on or off. To turn the piano off you need to press and hold the button for three seconds.

NOTE: The switch does not click into place.

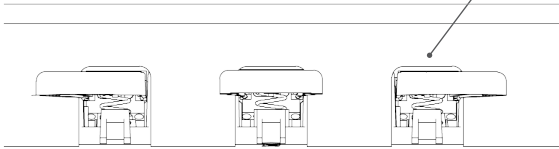
8 Volume fader

With this fader you can adjust the volume of your piano.

NOTE: Before switching on the piano it is recommended to set the fader to a mid-value. .



View B



Sustain Pedal (right side)

The Sustain- or Damper Pedal on an acoustic grand piano lifts up all the dampers that sit on the strings. Thereby all played notes continue to sustain after the keys are released.

Furthermore, all the other strings can freely resonate, so their frequencies contribute to a richer sound.

All this is simulated by the pedal of your Gewa piano. It is also possible to play with half pedal, which means the simulated dampers are only lifted slightly, so that the sustaining notes are decaying faster than with the pedal fully depressed.

Sostenuto Pedal (middle position)

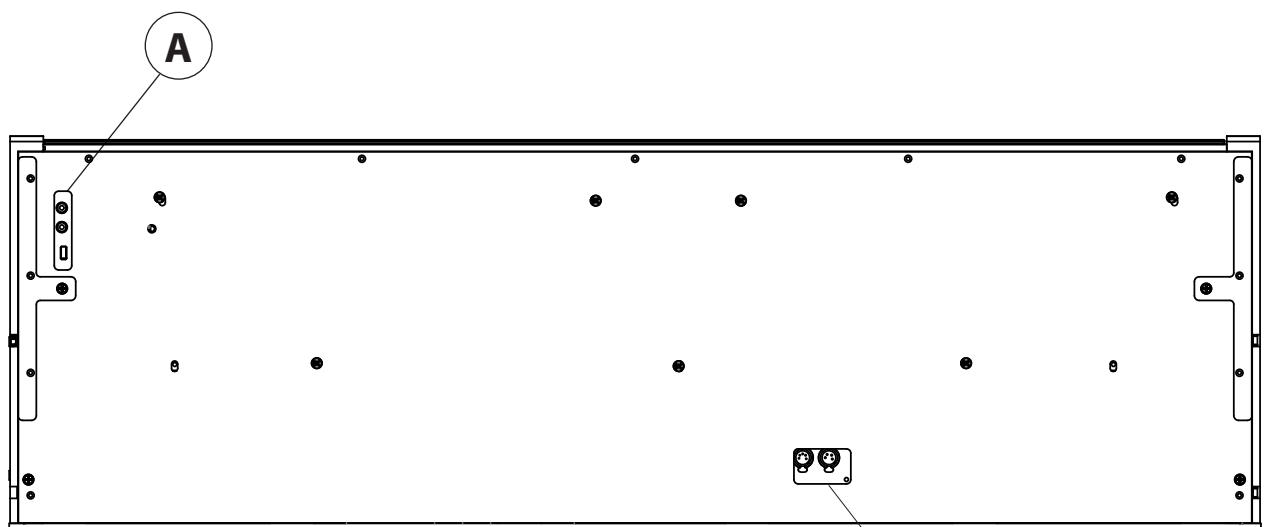
The Sostenuto Pedal resembles the Sustain Pedal. The only difference is that only those notes are sustaining whose keys were being depressed at the moment of actuating the pedal. All the other notes are dampened as usual.

Piano Pedal (left side)

When the Piano- or Una Corda Pedal is being operated, the Gewa Piano simulates shifting the keyboard action slightly to the right. The altered striking line of the imaginary piano hammers results in a differently colored tone and a slightly softer volume.

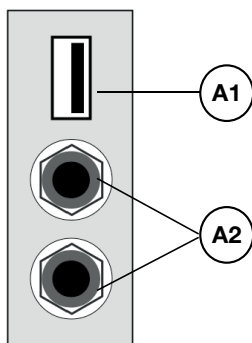
4.3 KEYBOARD CONNECTIONS

Overview



Connector 11 + 12

View A

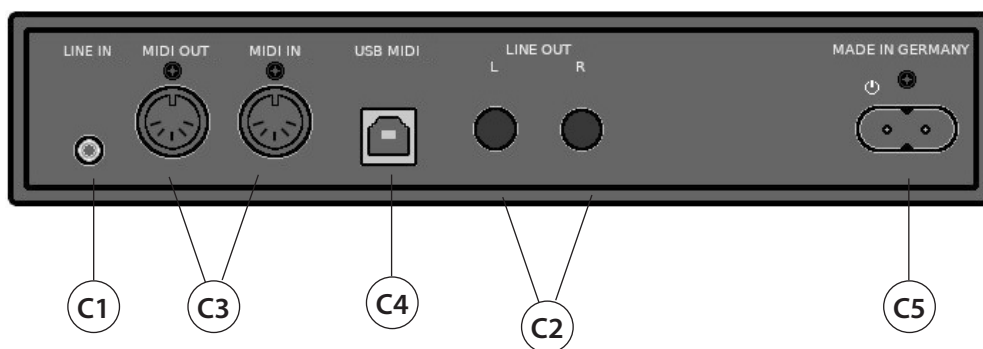


A1 USB IN/OUT

Connect a USB stick or another USB device here.

A2 Headphone sockets

Connect one or two sets of headphones here.



C1 LINE IN

This port is for external sound source playback (e.g. MP3 players) through the speaker system via a 3.5mm jack socket.

C2 LINE OUT L/R

This connection is split into the stereo channels L(ef) and R(ight). Using 6.3mm jack cables you can connect these outputs to a receiver, e.g. an amplifier or a recorder.

C3 MIDI IN/OUT

Connect MIDI devices here to use the MIDI-functionality of your digital piano.

C4 USB-B Connection

Connect your digital piano with your PC using a USB-cable.

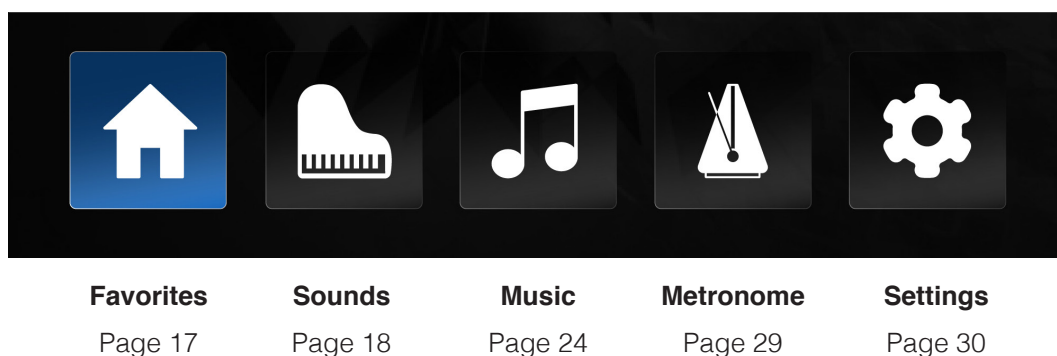
C5 Power Supply

Connect your digital piano to the power supply here, using the power cable,

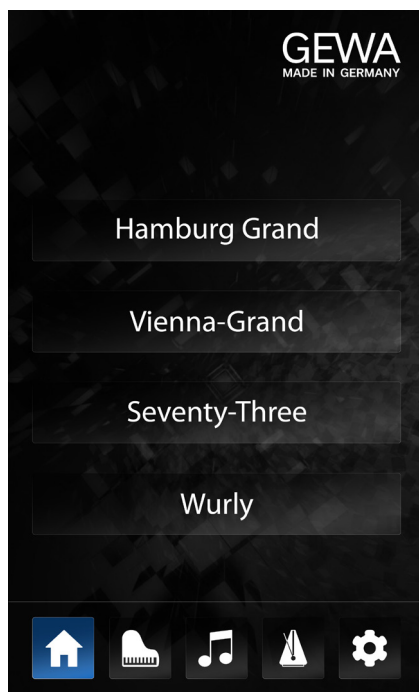
5 OPERATING USE

5.1 TOOLBAR

At the bottom of the display in most menus you can see the toolbar, which gives you instant access to all important functions of the piano. Just tap the icon to enter the menu. The selected icon is highlighted in blue to indicate which page you are currently on.



5.2 FAVORITES



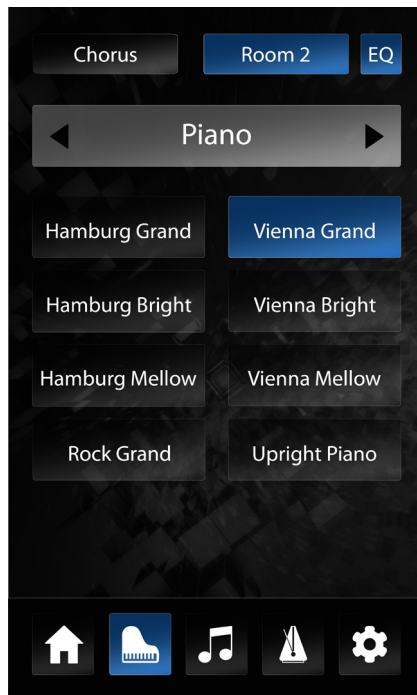
When the piano is turned on and the start sequence is complete, the home screen appears. On this page you see four buttons with different sounds. You can easily select them by tapping their names.

The selection of these four sounds is freely editable and intended to provide instant access to the most commonly used sounds.

To change the sound of a button, simply keep it pressed down (approx. 1 second). Now another page appears, where you can select another sound (see chapter 5.3 sound selection). Tap the sound to select. Now press "ok" to save the selection on the pre-selected favorite button. Press "cancel" to get back to the home screen without saving the changes.

5.3

SOUNDS



On the "sounds" operating page you have access to all sounds of the digital piano as well as effect settings and the combinations mode.

The sounds are organized in different categories such as "Piano", "E-Piano", "Strings" and so on.

SOUND SELECTION

To select a sound, first select a category in the upper section using the arrow keys. In the bottom section you can see the corresponding sounds. By tapping on a sound, it is immediately playable and the button is highlighted in blue to show your selection.

5.4 EFFECTS

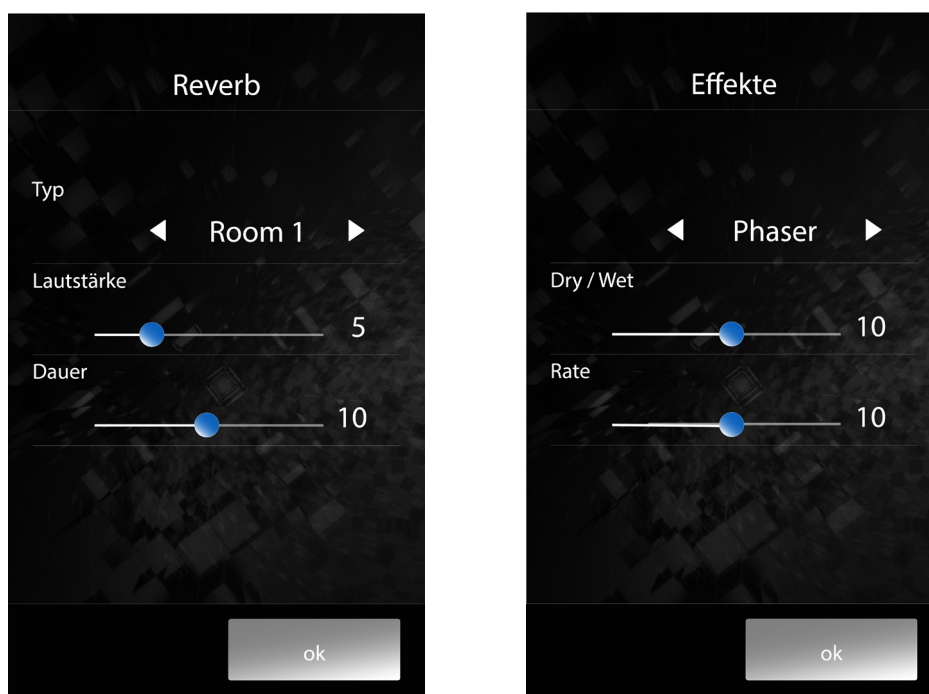
The UP405 features two independent, programmable effect blocks with reverb and modulation effects, as well as global equalization (EQ).

At the top of the sound selection page, there are three buttons that show the active effect settings. On the left there are the modulation effects, in the middle is the reverb effect and on the right the equalization. A short tap on one of the buttons activates or deactivates the assigned effect. If the effect is active, the button is highlighted in blue. If the effect is inactive, the button is grey. The "EQ" button is always active, since the EQ is global. This means the "EQ" is independent of the current sound selection.

For each sound of the piano, there are separate settings stored for both effect blocks. When you select a new sound, you can see the assigned effects and their status.

5.4.1 EFFECT SETTINGS

To change the settings of an effect block keep the button pressed. Now the settings page appears.



5.4.2 REVERB

The reverb effect simulates the room sound in different environments. Use the "**Type**" parameter to select the type of the simulated room.

Room 1	sounds like a furnished room
Room 2	simulates a slightly larger room
Stage	sounds like a stage
Hall 1	sounds like a small concert hall
Hall 2	sounds like a larger concert hall
Hall 3	sounds like a huge concert hall

The "**volume**" parameter controls the volume of the reverb effect in relation to the dry sound.

With the parameter "**duration**" you can adjust the decay time of the simulated reverb. A longer reverberation time makes the room appear larger.

To return to the sound selection page, press one of the two buttons at the bottom of the screen. "**Ok**" saves the settings made until you turn off the piano or select another sound. "**cancel**" discards all changes and resets the sound to the previous settings.

5.4.3 MODULATION EFFECTS

The "Fx" effect block provides the following modulation effects:

Chorus	The chorus effect adds doublings to the original sound, which are periodically slightly out of tune. This provides a fuller sound when using a synthetic sample but can seem unnatural for the sound of acoustic instruments such as piano.
Tremolo	The tremolo effect is a periodic change in the volume of the sound.
Pan Tremolo	Pan(orama) tremolo lets you choose the sound to switch between the left and right speakers.
Phaser	The phaser is a periodic shift in the phase of a sound.
Rotary	Simulates the sound of a rotary loudspeaker, which was mainly used for electric organs.

The "**Dry/Wet**" parameter controls the ratio between the dry sound and the effect component.

The "**Rate**" parameter sets the speed of the modulation effect.

To return to the sound selection page, press one of the two buttons at the bottom of the screen. "**Ok**" saves the settings you have made until you switch off the piano or select another sound. "**Cancel**" discards all changes and resets the sound to the previous settings.

5.5 SOUND ADJUSTMENT (EQ)

The "EQ" block is intended for the tonal adjustment of the speaker system. It is always active regardless of the current selected sound. There are different fixed presets available, as well as freely adjustable user settings:

Linear	The sound control is set to neutral here, the sound is exactly as it was recorded.
Brilliant	The high tonal components are emphasized for a more brilliant sound.
Concert	For a particularly full sound, both the treble and bass is emphasized.
Damped	For a less sharp sound the trebles are damped.
User	This setting can be freely defined and is automatically being saved.

Parameters for the user settings:

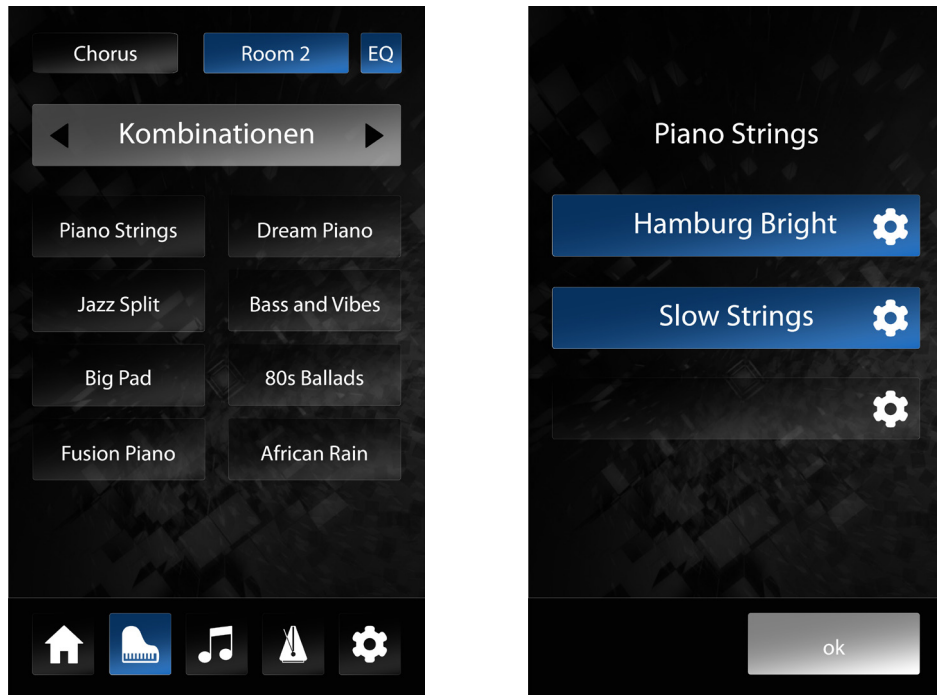
Treble	Controls the volume of the highest sound components in a range of +/- 12 dB. Move the slider to the right to increase the trebles - the sound becomes sharper. Move the slider to the left to decrease the trebles - the sound becomes duller.
Hi-Mid	Controls the volume of upper mids.
Lo-Mid	Controls the volume of the lower mids.
Bass	adjusts the volume of the bass.

The selection of the EQ presets and all parameters in the "User" setting remain until the piano is turned off or beyond that. (Depending on the startup settings - see page 31).

5.5.1 COMBINATIONS

In combinations mode you can combine up to three different sounds. For example, to play a double bass with the left hand and a piano with layered string sound with the right hand.

To create a combination, click on the sound icon in the toolbar to get to the sound selection screen. Now press the left and right arrow keys until you can see "combinations". Now select one of the presets here that you want to use as a basis for the new creation. Keep the button pressed, now you should see the following screen:



An individual sound (layer) can be assigned to each of these three buttons. By holding one of the buttons you can access the sound selection page. There you can select a sound and preview how the combination will sound. Once you have decided on a sound, confirm with "OK" or cancel the selection with "CANCEL".

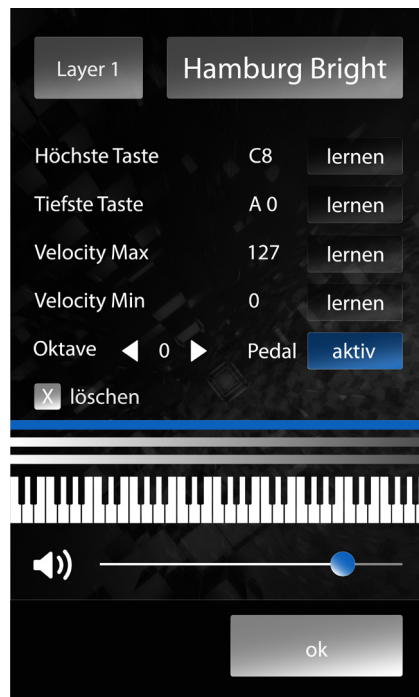


TIP

In the combination view, you can switch each layer on and off by briefly tapping its button. This is useful for adding or removing sound registers during the performance.

If you tap on the name of the combination in the upper part of the screen, a dialog for naming the combination appears. If necessary, enter a new name here and confirm with "OK" or discard with "CANCEL".

By default, the selected sounds (layers) of a combination sound simultaneously and over the full tonal and dynamic range of the keyboard. To adjust this, press the settings button next to the sound. This takes you to the layer editor.



In the upper part of the screen you can see which of the three layers is selected for editing. By tapping this button repeatedly, you can cycle through the layers. Next to it you can see which sound is selected for the layer. You can also change the selected sound in this view.

In the center area of the layer editor screen, you can specify the keyboard area where the selected sound will be heard. To do this, press the "learn" button in the "highest key" line. If this is highlighted in blue, the piano waits for your input. Now play the highest note on the keyboard that should trigger this sound. The piano recognizes the tone played and automatically enters the key name.

Now press the "learn" button the "lowest key" line and set the lowest tone in the same way.

The keyboard range of the selected layer is shown above the keyboard with a blue bar.

With the lines "velocity max" and "velocity min" you can define a velocity range in which the selected sound should be played. This enables you for example to play a different sound with a soft touch than with a hard touch.

With the "Octave" parameter you can move the octave position of the current layer. For example, if you set it to two, the layer will sound two octaves higher than the notes actually played on the keyboard. This is useful, for example, to play a surface sound with the left hand that would sound way too low in the normal settings. The right hand can now be moved normally to play a different sound to it.

The “**Pedals**” button determines whether the current layer should react to the piano pedals or not. For example, you can set a combination where the right keyboard area contains a piano that responds normally to the pedals, and the left keyboard area contains a bass that does not respond to the sustain pedal, so that the notes do not sound in unison.

The “**Delete**” button deletes the sound assignment for the current layers and resets all settings to the default. Above the keyboard there are three bars representing the approximate keyboard range of the layers. The currently selected layer is displayed in blue.

A volume control is located below the keyboard. This controls the volume of the selected layer in the overall mix of the combination.

Press “**OK**” to confirm all changes and return to the combination view. “**Cancel**” will also return to the combination view, but the settings made will be discarded.

5.6

MUSIC

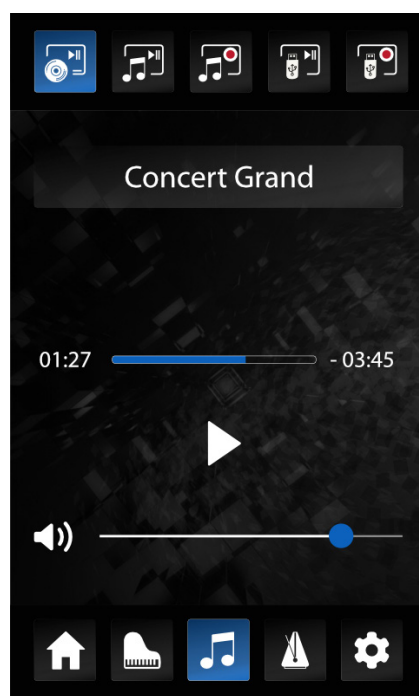
By selecting the note symbol in the toolbar you get to the “Music” section. This is used for playing and recording music. At the top of the screen there are five icons for selecting the modes:

- Demo Player
- Internal Player
- Internal Recorder
- USB-Player (only appears when a USB stick is inserted)
- USB-Recorder (only appears if a USB stick is inserted)

The symbol for the page currently being called up is highlighted in blue.

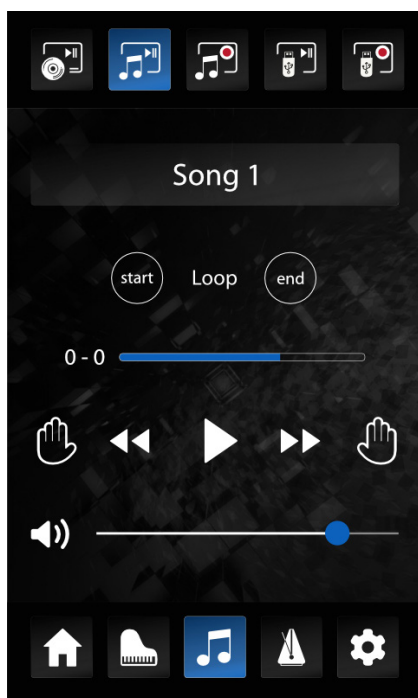
5.6.1

DEMO PLAYER



In the “Demo” mode, music pieces are stored that demonstrate the essential sounds of the UP405. Click on “Concert Grand” to select a demo piece. By clicking the Play/Stop symbol you can start or stop the playback. Use the volume control to adjust the playback volume of the demo piece.

5.6.2 INTERNAL PLAYER



The internal song player is used to play back recordings previously made and saved in the internal recorder. The internal player offers various additional functions. By clicking on "Song 1" you can select the song to be played.

LOOP

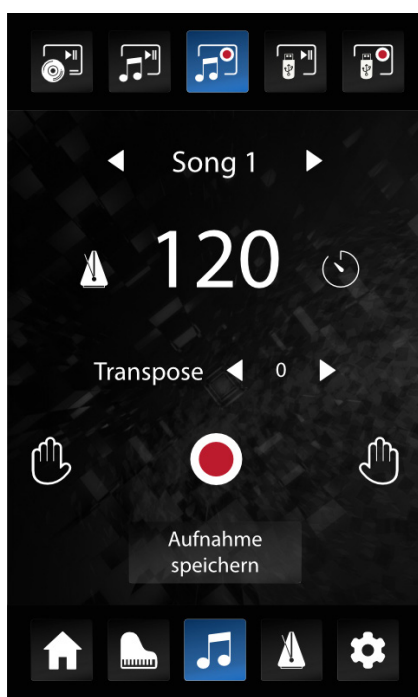
In the Loop section you can loop a selected song range and play it in continuous loop. To define the range, click Start and at the end of the range click End. To end the loop, press Clear Loop in the middle of the Loop section.

LEFT / RIGHT HAND

In the internal recorder you have the possibility to record the left and right hand separately. Once this is done, you can play them back separately here as well. Click on the respective hand symbol to activate or deactivate them.

Click on the Play button to start playback. You can define the playback volume using the volume slider at the bottom of the screen.

5.6.3 INTERNAL RECORDER



In the internal recorder you can record your performance to play it back afterwards via the internal player.

The following functions are available in this section:

SONG SELECTION

By clicking on the song name you can select one of the internal memory locations.

TEMPO AND METRONOME

The metronome icon on the left activates the metronome. Next to it you can set the tempo. To do this, tap on the tempo number and swipe up or down. The icon on the right activates a pre-counter, i.e. when you activate recording with the record icon, the metronome starts first to help you get into the right tempo. After two bars have passed, the actual is then activated.

TRANSPOSITION

This parameter allows you to transpose the keyboard in semitone steps. For example with a setting of +3 every played note sounds a minor third higher.

RECORDING / PLAYBACK AND TRACK SELECTION

With the recording icon you activate the recording. The piano now waits for your input and starts recording with the first note played or the operation of a pedal.

After finishing your performance, press the record button again to stop recording. Now the recording be played back with the playback button.

The two hand symbols can be used to select two separate recording tracks. This is used, for example, to record the left and right and of a piece one after the other. To do this, select the symbol for the left hand and record the left hand of the piece according to the procedure described above. Then select the symbol for the right hand and start recording again. Now the recording made first will be played back and you can record the right hand to it.

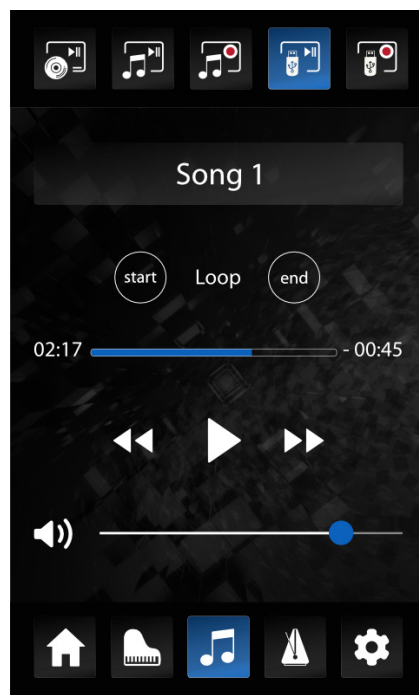
The two separate tracks can of course be used for other purposes, e.g. to record a string arrangement in addition to a piano part.

SAVING A RECORDING

If you would like to save your recording permanently to a USB stick, press the “Save recording” button. If such a stick is connected to the piano, you can now select the storage location and complete the process by confirming with OK.

5.6.4

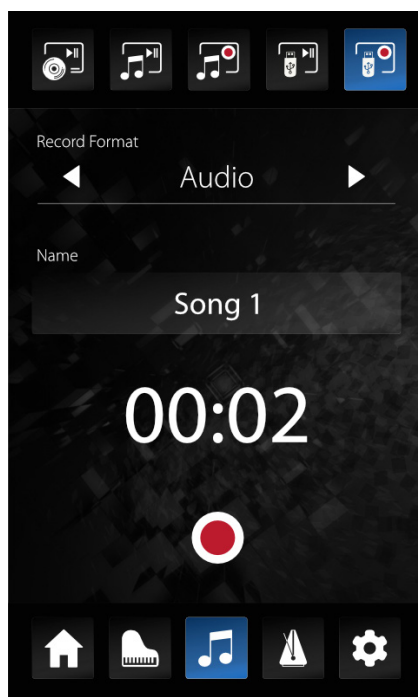
USB PLAYER



The USB Player allows you to play audio or MIDI files from your USB stick through the instrument. To select a file, first click on the song name. Now select the song to be played from your USB stick.

Click on the “Play” button to start the playback. The USB player also provides a loop function (see 5.6.2) and a volume control.

5.6.5 USB RECORDER

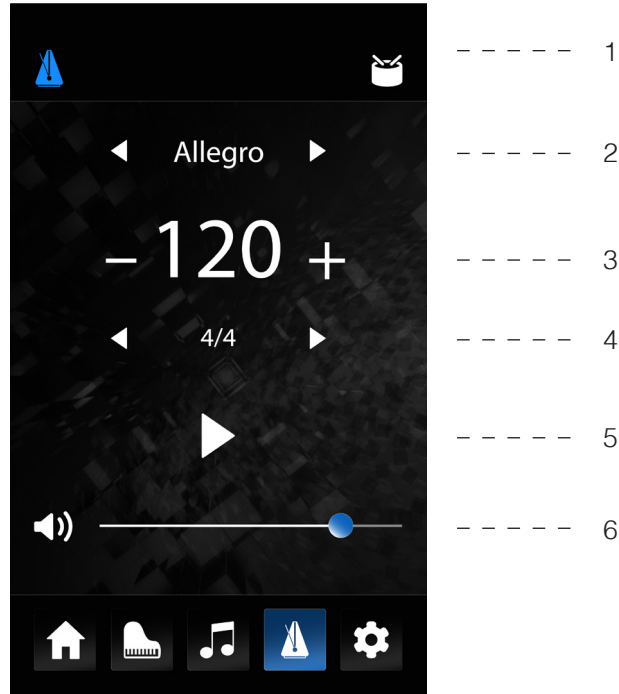


In the USB Recorder you can record audio or MIDI files directly to your USB stick. With the Record Format parameter you can define if you want to record an audio or MIDI file. By clicking on the song name you can select a predefined song name.

If you press and hold the song name, you can also define an individual song name. To start recording, press the Record button. To stop recording, press the Record button again..

5.7 METRONOME / RHYTHMS

The metronome helps you when practicing. The UP400 also has a rhythm function to play along with pieces of different styles.



1 – Metronome / Rhythm

Used to switch between metronome and rhythm functions.

2 – Tempo indication

In classical piano music, the tempo of a piece is usually indicated by a tempo marker. Select the tempo designated with the two arrow keys. The UP400 will automatically set the appropriate tempo value.

3 – Tempo

Here you can see the numerical tempo value in beats per minute (BPM). You can change the value by pressing the number and then swiping up or down. This will also adjust the classical tempo indication if necessary.

4 – Time Signature

By repeatedly tapping on the time signature (4/4 by default), you can select all available time signatures.

When the metronome is activated, you can see what speed it is currently counting at on the right.

5 – Metronome Start / Stop

With the help of the “Play” symbol you activate the metronome. You can stop it by repeatedly pressing the button.

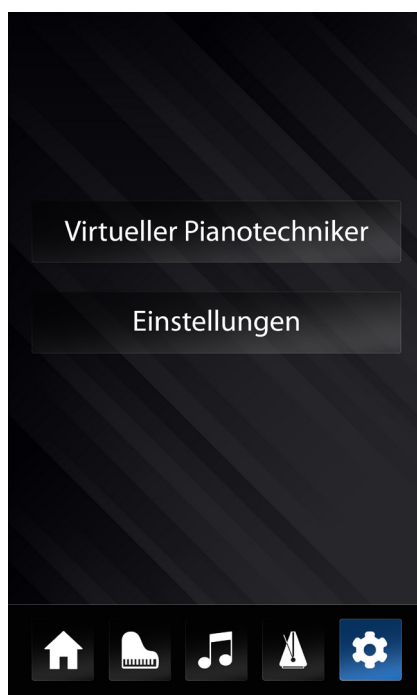
6 – Volume

The slider controls the volume of the metronome. The overall volume of the piano remains unaffected.

5.8

SETTINGS

Tap the settings icon in the toolbar to access the UP405 settings menu. In the “Virtual Piano Technician” area, you will find all settings concerning the piano sound, including tuning etc. In the “Settings” area, you will find all basic device settings.



Language	Language	Defines the language for the entire user interface.
Display	Brightness	Controls the brightness of the display.
	Screensaver after	After the defined time in seconds the display will turn off, to not distract from playing or disturb the appearance of the piano. When the screen saver is active, simply tap the display to resume operation. To deactivate the screen saver, move the slider all the way to the left.
	Calibration	Starts the display calibration. Use this function if there are issues with the touch functions of the display.
	Firmware	Displays the version of the installed display firmware.

Powersettings / Reset	Automatic Switch off	After the time set here, the piano will turn off completely. To deactivate the function, press the left arrow button until "off" appears.
	Start-Up Settings	Controls how the piano starts up: "Factory Default" resets the piano each time it is turned on, so that it starts up with the factory settings. "Last" always starts the piano with the settings that were set when the piano was turned off.
	Factory Settings	"Reset Piano" sets all settings to the delivery status.
Piano Informationen	Model	Displays the piano-specific data for evaluation purposes.
	Serial Number	
	Firmware	
	Soundbank	
MIDI 1	In- / Output	Defines the MIDI input and output. Default output is Bluetooth. Now all data will be received and sent via the Bluetooth MIDI interface. Alternatively you can select „MIDI" here. Now all MIDI data is sent exclusively via the DIN MIDI jacks on the back of the instrument.
	Output channel	Sets the MIDI channel between 1 and 16, on which the MIDI data of the piano is sent.
	Local-Control	In the „Off" setting, the sounds played on the keyboard are output via the MIDI interfaces, but not routed to the internal sound generation. This is useful if you want to use another instrument or a computer based recording program with the keyboard of your digital piano without simultaneously outputting a sound from the digital piano. In the default setting "On" the keyboard is directly connected to the internal sound generation.
	Program Change	When set to „on", a command will be sent every time the piano sound has changed. So for example, when recording with a computer the program change is also recorded or you can change the sounds of an external tone generator as well. In the „Off" setting, these commands will not be sent.
MIDI 2	Piano Mode	When piano mode is on, channels 1 and 2 of incoming MIDI modes are filled with piano effects (string resonances, etc) when a piano sound is selected.

OPERATING USE
SETTINGS

Volume Settings	Audio Input Volume	Controls the playback volume of external devices that are connected via the line input or bluetooth
	Audio Input Reverb	The signal of external devices can be combined with a reverb effect. This parameter controls the reverb level.
	Maximum Headphone Volume	If the control is set to the right, the headphones can be adjusted to full power. If it's moved to the left, this is restricted.
Bluetooth 1	Connect	Triggers the bluetooth pairing process with a suitable external device. Upon request from the external device, enter the code shown in the piano display to complete pairing. Now audio signals of the device can be played via bluetooth through headphones or the speaker system of the piano.
	Audio Volume	Here you can define the input volume of your Bluetooth Audio signal.
	Reverb	The Reverb parameter allows you to add a reverb effect to the Bluetooth Audio signal.
Bluetooth 2	Bluetooth On/Off	Activate or deactivate the Bluetooth module.
	Audio	Indicates whether there is currently a Bluetooth Audio connection.
	MIDI	Indicates if there is currently a Bluetooth MIDI connection.

VIRTUAL TECHNICIAN

Touch/Key Action	Dynamic Curve	With the dynamic curve you can change the dynamic behaviour of the keyboard. Using the curves "Light" 1 and 2 you need less power when playing the key to produce a louder sound. With the curves „Hard“ 1 and 2 you need more power.
	Hammer Tip	The condition of the hammer tip for an acoustic piano is crucial for the overtones of the sound. A hard hammer tip provides a more brilliant sound, a soft hammer head lets the strings sound darker and softer.
	Half-Pedal-Point	Here you define the point to trigger the half-pedal function.
	Una Corda Level	Here you can determine how much the left pedal (Una Corda Pedal) of your digital piano should have an effect on your playing.
Tuning	Transposition	Here you can increase or decrease the pitch of your digital piano in 12 semitone steps.
	Tuning	Here you can set the overall pitch of your digital piano, for example to adapt it to another instrument. The standard pitch is 440Hz.

	Temperament	<p>Here you can adjust the temperament of your digital piano, for example to play music from older music periods with the greatest authenticity. This is especially useful for the harpsichord sound of your GEWA digital piano.</p> <ul style="list-style-type: none"> - Equal: equal tuning (standard tuning at modern pianos) - Pythagorean: tuningsystem based on pure fifths, suitable for music of antiquity and of the middle ages. - Pure Major: pure tuning for modal music, like classical indian music. - Pure Minor: pure tuning for modal music in a minor key. - Meantone: medium-tone tuning, based on pure thirds, suitable for Renaissance and Baroque music. - Werck III: Well-tempered tuning system, inspired by J.S. Bach's cycle "The well-tempered piano". - Kirnb. III: another well-tempered tuning system, often used for baroque organs.
	Root Note	<p>In the menu item root note, the "Root Note" of the tuning temperament is defined. If, for example, you choose a pure major tuning and the musical piece is in E major, you should move the root note to E.</p>
Piano Noises	String Resonances	<p>On an acoustic piano, the strings of some notes resonate indirectly when a note is played. This characteristic is simulated by your GEWA digital piano and can be changed in its intensity.</p>
	Damper Resonance	<p>Due to the effect described above, especially when playing with the pedal held down, many resonances occur. They generate a full, spatial sound. This phenomenon is also simulated in the GEWA piano and its intensity can be adjusted.</p>
Calibration	Calibration	<p>Displays the single key calibration screen. Refer to the chapter "User Keyboard Calibration".</p>

6

CONNECTING EXTERNAL DEVICES

Here you can learn more about the connection possibilities of your digital piano.

6.1 CONNECTING HEADPHONES

Connect your headphones to one of the two 6.3mm jack connectors below the keyboard.



NOTE

If headphones are connected to one or both jacks, the speakers of your digital piano will be automatically deactivated. They will not be reactivated until you remove BOTH headphones.

6.2 CONNECTING A PLAYBACK DEVICE

You can connect playback devices such as e.g. a CD or MP3 player to your digital piano. This can be helpful when you are rehearsing a song in Playback mode. When properly connected, you will be able to hear both the piano and the playback device either through the piano speakers or connected headphones. You can control the volume balance easily with the volume control.

6.3 CONNECTING AN AMPLIFIER

If you need your digital piano to play louder than with the built-in speakers, you can easily connect it to an amplification system using the LINE OUT outputs under the keyboard.

6.4 CONNECTING A PC

You can link your digital piano with your PC with the USB-B connection under the keyboard. This is how you can link your PC with your digital piano:

1. Switch off your digital piano and the PC.
2. Connect your digital piano with your PC with a certified USB lead.
3. Switch on your digital piano and the PC.

Your digital piano will be automatically recognized by your PC. There are various appropriate software tools (e.g. recording software) on most available operating system platforms and devices with which you can enjoyably extend your musical experience.



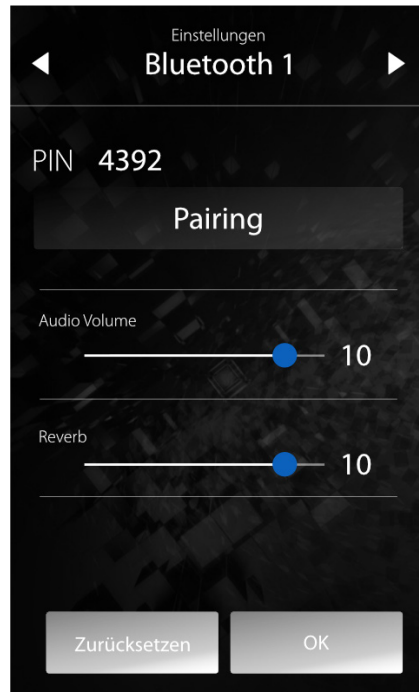
NOTE

To check the details on the data exchange between your digital piano and the PC, it is recommended that you use the PC software-provided monitoring tools.

6.5

BLUETOOTH AUDIO

You GEWA Digital Piano can be used by other Bluetooth devices to play audio.



To do so, please proceed as follows:

1. Press the settings button at the bottom of your screen.
2. Select „Settings“.
3. Push the upper right arrow until you are in the menu called “Bluetooth 1”
4. Press the „Pairing“ button.



NOTE

Now your GEWA Piano is visible as a bluetooth device. It should now be listed within the device list of your mobile device.

You can now connect to your GEWA piano. Use the PIN-Code 4392 (GEWA)

After the connection has been established, you can stream audio data via the digital piano. You can adjust the input-volume via the “Audio Volume” controller

(settings => volume control).

6.6 BLUETOOTH MIDI

Your GEWA digital piano has Bluetooth MIDI functionality. This allows you to connect the piano to your smartphone to use popular piano learning apps or to record MIDI data.



To establish a MIDI connection, proceed as follows:

1. Press the settings button at the bottom of your screen.
2. Select „Settings“.
3. Push the upper right arrow until you are in the menu called “MIDI 1”
4. Make sure that the In-/Output is set to “Bluetooth”



NOTE

To establish a MIDI connection, you do NOT have to put your device into pairing mode. The MIDI connection is always active and can be connected at any time.

7

USEFUL INFORMATION

At this point, we would like to provide definitions for a few terms that are used in this manual.

We also explain the special features of your digital piano here.

7.1

INDEX

Term	Definition
MIDI	<p>Musical Instrument Digital Interface is a data transmission protocol. That means that musical control information is transmitted between electronic instruments such as digital pianos, keyboards, synthesizers, drum computers and also PCs and laptops. To exchange this control information, the instruments/computer need MIDI connectors and a connection must be made between them. There are different MIDI connections with different functions: MIDI-IN, MIDI-OUT and MIDI-THRU. The latter forwards the data received via the MIDI input unaffected to another MIDI device.</p> <p>Example: When you press a key on the digital piano, small data packages are sent via its MIDI OUT port. These data packages contain information concerning the pitch and velocity of the corresponding tone. They can, for example, be recorded, stored and played back on the computer. Moreover, they can be transformed into musical notation on screen if there is an appropriate program.</p>
GM	<p>General-MIDI (abbrev. GM) standardises significantly more than the universal MIDI standard. The latter is both a hardware and protocol specification. General-MIDI also specifies content. GM sets a minimum standard for the allocation of instruments on the 128 program slots. According to GM, a compatible tone generator must be able to produce 24 sounds at a time. According to GM, further control parameters are defined e.g. the effect control.</p>
General MIDI Sounds	<p>Sounds or instruments according to the specifications of the general MIDI standard.</p>
Reverb	<p>The device simulates how the sound in a room would be. This sound simulation is already preconfigured for some sounds to make them more realistic.</p>
Chorus	<p>The Chorus Effect adds a copy of the played notes which is slightly detuned. Therefore the sound seems fuller.</p>
Samples	<p>Samples are sound recordings of instruments. The notes of the instruments are recorded and stored individually. When you play a note on the keyboard of the digital piano, the corresponding recordings are played back.</p>
Polyphony	<p>With electronic instruments, the term 'polyphony' refers to how many tones can be played at the same time.</p>

7.2

WARRANTY

The dealer from whom the device was purchased warrants the material and manufacture of the device for a period of 2 years from the date of purchase. In the case of a defect product, the buyer is initially only entitled to a subsequent performance. This includes either the repair or the delivery of a replacement product. Replaced equipment or parts become the property of the dealer.

If the subsequent performance fails, the buyer can either demand a reduction in the purchase price or withdraw from the contract and, if the defect is to be represented by the dealer, claim for damages or reimbursement of wasted expenditure.

The buyer must notify defects to the dealer without delay. Proof of warranty is to be provided by a proper confirmation of purchase (proof of purchase e.g. invoice)

Damage caused by force or other external influences are not covered by the warranty, nor are the consumption of consumer goods such as rechargeable batteries, strings, skins or seals. If you suspect a warranty claim with your device, contact your dealer during normal business hours.

8

TROUBLESHOOTING AND REPAIR

If malfunctions occur, you can use the tips listed here to find and solve the issue yourself. If you are unsuccessful, please contact your dealer.

Possible cause and solution		
Problem	Possible cause(s)	Possible solution(s)
The piano does not switch on	<ul style="list-style-type: none"> • Power plug is not plugged in. • Power cable is not connected properly. 	<ul style="list-style-type: none"> • Check the power cable and its connections. • Reconnect it if necessary.
Crackling/pop noise when switching on/off.	<ul style="list-style-type: none"> • This is normal and may occur when the digital piano is turned on and off. 	
Noise occurs through speakers during operation.	<ul style="list-style-type: none"> • Interference with other devices (e.g. mobile phones). 	<ul style="list-style-type: none"> • Increase the distance between the digital piano and other devices or turn off the other devices.
The sound is too low or is not audible at all.	<ul style="list-style-type: none"> • The volume control is set too quietly. • Headphones are connected. 	<ul style="list-style-type: none"> • Make the volume control go louder. • Remove them.
The pedals are not working properly.	<ul style="list-style-type: none"> • The pedal cable is not properly connected. 	<ul style="list-style-type: none"> • Check that the pedal cable is properly in the socket. • Reconnect if necessary.

9

TECHNICAL DATA

Name	Feature
Dimensions WxDxH (with set up music desk) in cm	146.2 x 45.0 x 95.3 (111.3) cm
Weight	70 kg
Power input	max 140 Watt
Keyboard	88 keys, Concert Pianist II, Graded Hammer, Let-Off, Wooden Elements
Touch sensitivity	6 levels (Soft1, Soft2, Medium, Hard1, Hard2 and Constant)
Pedals	Damper-, Sostenuto- and Piano Pedal
Sound source	GEWA music samples with 4 stereo layers
Polyphony	256
Amount of internal sounds	40
Amplifier output RMS	2x 30 Watt 2x 30 Watt 2x 15 Watt
Speakers	2x treble-speakers 2x midtone-speakers 2x bass-speakers
Recording function	integrated recorder with 8 tracks per storage space
Recording format	Standard MIDI-file (Format 0, SMF)
Connections	- power socket - MIDI IN - MIDI OUT - LINE In - LINE Out - 2 x headphone sockets (6.3 mm jack) - USB Type A - USB Type B - Sustain Pedal

Manufacturer:
GEWA music GmbH
Oelsnitzer Str. 58
08626 Adorf
GERMANY
www.gewamusic.com
Version 1.0



Errors and omissions excepted!